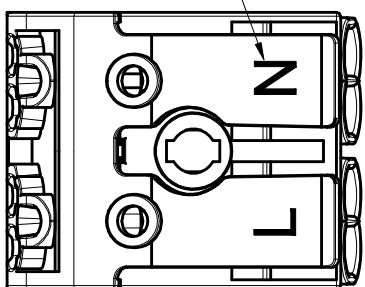
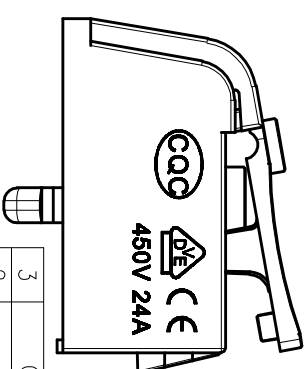
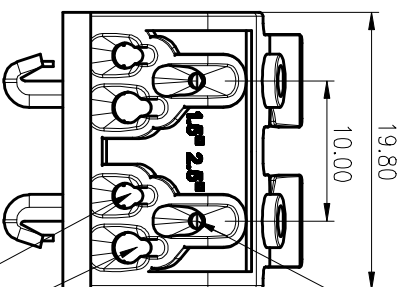
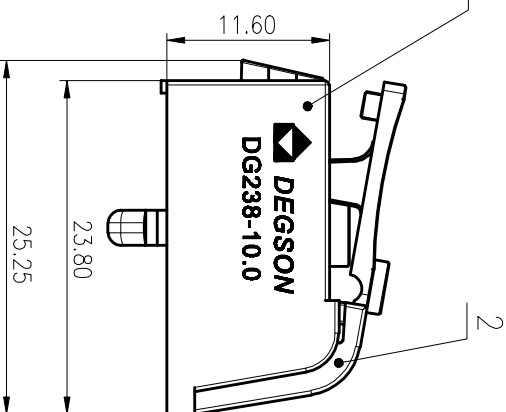
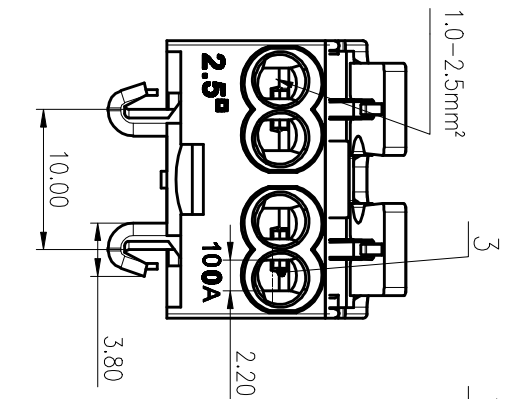


公差等级/General	tolerances/(mm)	0	>3	>6	>10	>18	>30	>50	>80	>120	>180	>280	>315	>400	>500	0.1/10
~	~	~	~	~	~	~	~	~	~	~	~	~	~	~	~	~
±	±	±0.12	±0.18	±0.22	±0.26	±0.31	±0.37	±0.57	±0.80	±0.93	±1.05	±1.15	±1.60	±2.20	±2.50	±Z

Font:Arial
Height:3.00mm
Color:Black



0.5-0.75mm² (SOL)



0.75-1.5mm²(SOL)

0.75-2.5mm²(SOL)

3	Clamp	Copper alloy	Ni-plated
2	Cover	PA66	UL94V-2
1	Housing	PA66	UL94V-2
ITEM	NAME OF PART	MATERIAL	NOTES
UL 标准	UL Standard:	B	C
额定电压/电源/Rated Voltage(V)/Current(A)	600/20	/	/
IEC 标准/IEC Standard:			
过压类别/Overvoltage Category/污染等级/Pollution Degree	III/3	III/2	II/2
额定电压/电源/Rated Voltage(V)/Current(A)	/	450/24	/
工额电压/Withstanding Voltage(V/Min)	/	AC2500	/
线径范围(硬线和软线)/Wire Range(rigid and flexible)(mm ² /AWG)	/		
间距/Pitch(mm)/线数范围/Poles	10.0/02P		
铜线长度/Stripping length(mm)	9-10		
使用温度范围/Operating temperature(°C)	-40~+105		
符合RoHS要求/Conform to RoHS	Yes		

Thickness: T=0.8±0.2

PCB LAYOUT

MATERIAL: / SURFACE: /

MAT NO.: /

STATUS: /

Appd: LIGL 2020.06.03

CHKD: Mek 2020.06.03

DRAFT: LuoXM 2020.06.03

NINGBO DEGSON ELECTRICAL CO., LTD

NAME: DG238-10.0-02P-19-101A(H)

DRAWING NO.: DG238-10.0-C50

TYPE: CUSTOMER DRAWING

REV	ECN	DESCRIPTION	DRAFT	DATE	SIZE: A4	SCALE: 2:1	REV	SHEET
1							DD-2	1/1