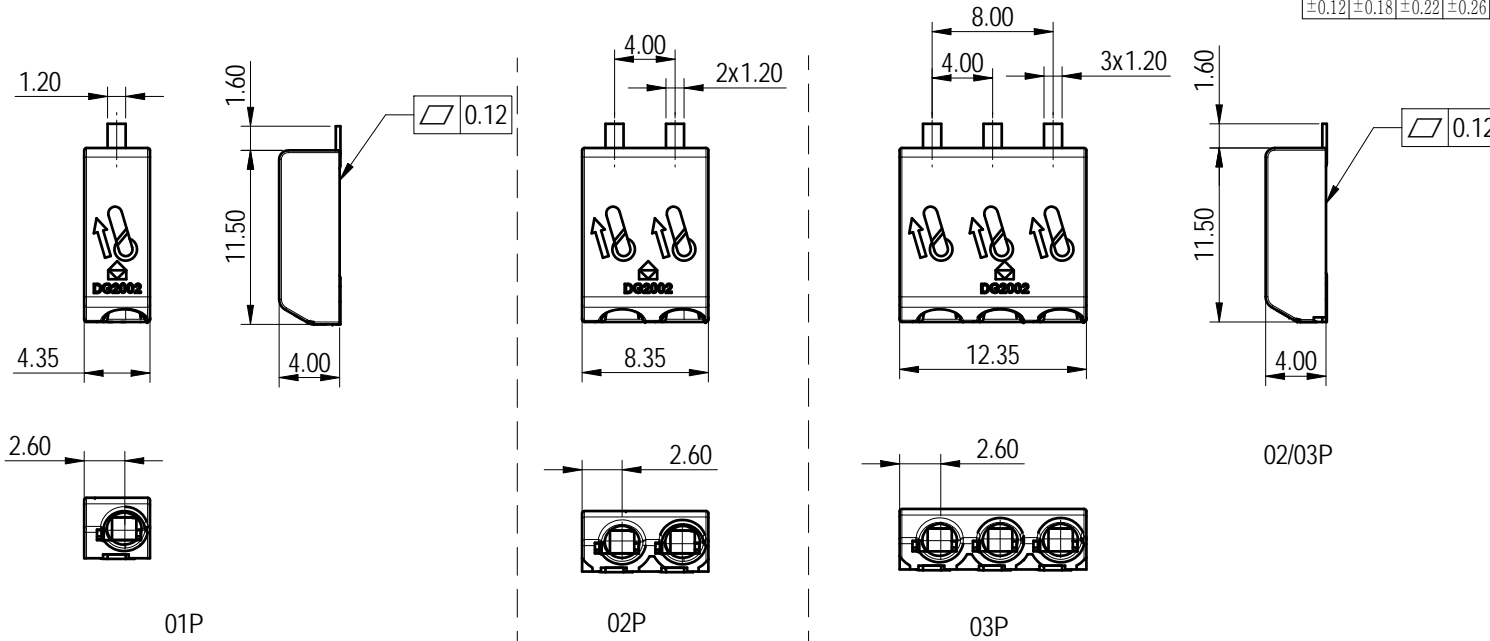
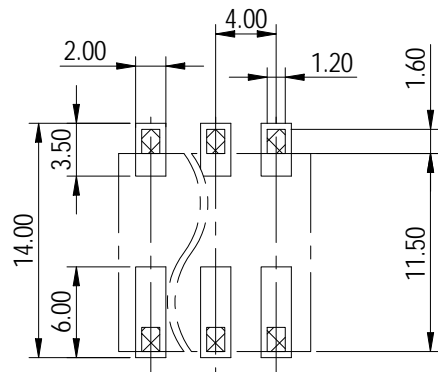


未注公差/General tolerances (mm)												0.1/10		
0	>3	>6	>10	>18	>30	>50	>80	>120	>180	>250	>315		>400	>500
±0.12	±0.18	±0.22	±0.26	±0.31	±0.37	±0.57	±0.80	±0.93	±1.05	±1.15	±1.60	±2.20	±2.50	±2'

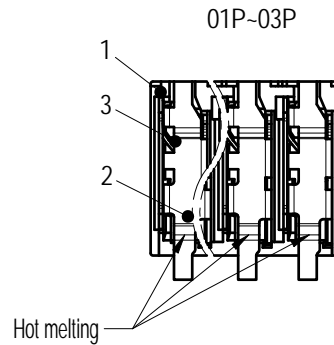


Note: The A&Z(H) in the name means: A(H) and Z(H).

UL 标准额定电压/电流/Rated Voltage(V)/Current(A)	600/9(01P)		
	300/9(02P/03P)		
IEC 标准/IEC Standard:			
过压类别/Overvoltage Category/污染等级/Pollution Degree	III/3	III/2	II/2
额定电压/电流/Rated Voltage(V)/Current(A)	32/9	160/9	160/9
额定脉冲电压(KV)/Rate Impulse Voltage(KV)	4	4	4
线径范围(硬线和软线)/Wire Range(rigid and flexible)(AWG/mm ²)	24~18 / 0.2~0.75		
间距/Pitch(mm)线数范围/Poles	4.0/N=01~03P		
剥线长度/Stripping length(mm)	9		
使用温度范围/Operating temperature(°C)	-40~+105		
符合RoHS环保要求/Conform to RoHS	Yes		
3	Spring	Stainless steel	/
2	Pin header	Copper allot	Sn Plated
1	Housing	LCP	UL94V-0
ITEM	NAME OF PART	MATERIAL	NOTES



PCB LAYOUT



APPD: 蓝贵凡 2023.12.29
CHKD: 曹利彬 2023.12.29
DRFT: 孙科豪 2023.12.29

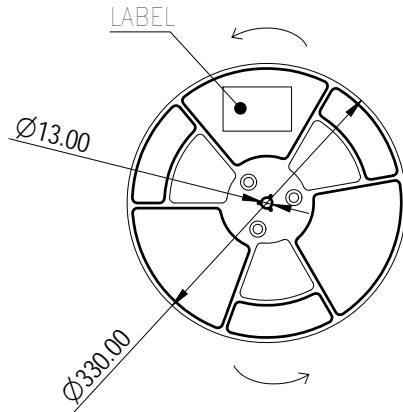
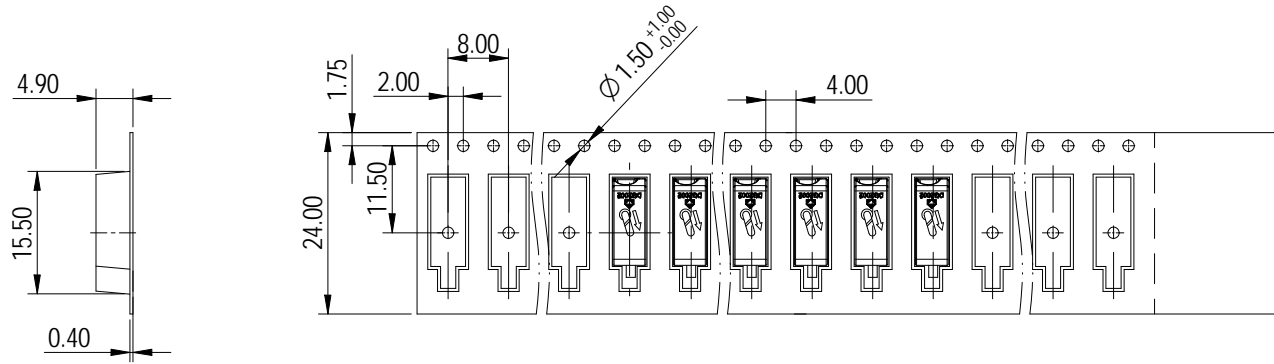
MATERIAL:	SURFACE/COLOR:	
MAT NO./REV:	/ 00	MAT STATUS: 批量
NAME	DG2002-4.0-XXP-1Y-100A&Z(H)	
DRAWING NO.	TYPE	DRAWING STATUS
/	CUSTOMER DRAWING	已发布
SCALE	SHEET	
2:1	1/4	

REV	ECN	DESCRIPTION	DRFT	DATE
00				

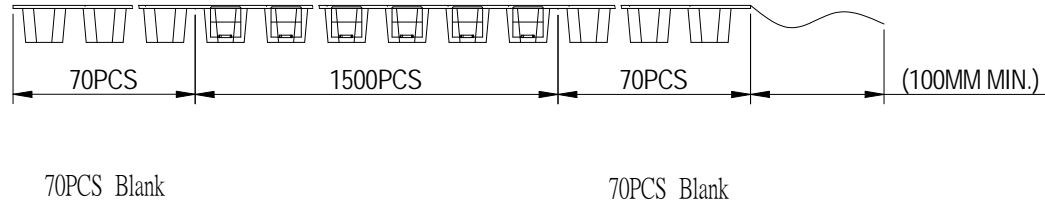
⊕ A4 (inch)

Transfer or duplication of this document as well as the utilization or communication of its content are prohibited unless authorized in writing by DEGSON. All rights reserved for patent. 除专利权明确标注外，其他内容均受法律保护。未经授权，禁止复制或传播。 除专利权明确标注外，其他内容均受法律保护。 除专利权明确标注外，其他内容均受法律保护。

01P Package



REELING DIRECTION

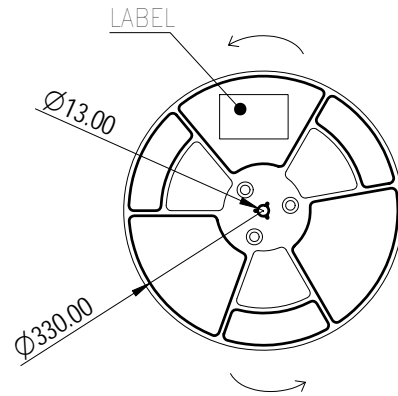
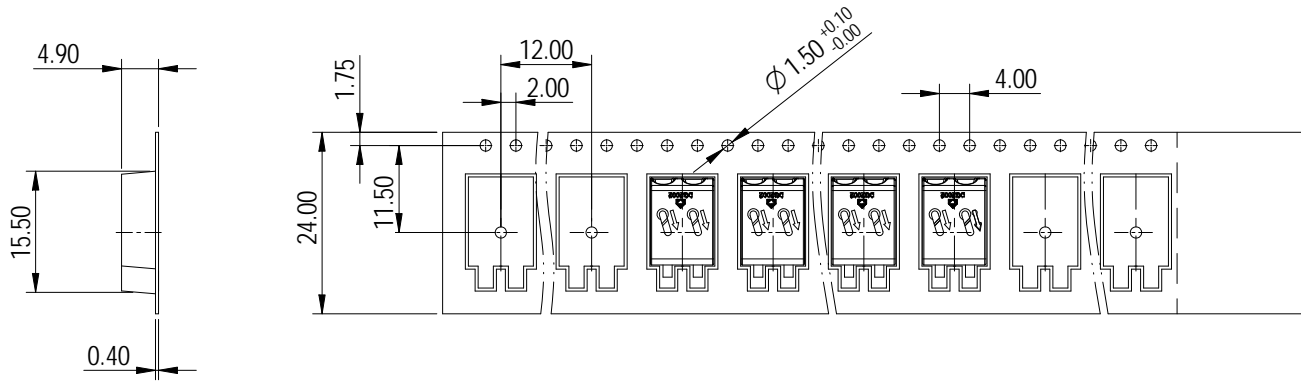


		MATERIAL:		SURFACE/COLOR:		
		MAT NO./REV: / 00		MAT STATUS: 批量		
APPD: 蓝贵凡	2023. 12. 29	NAME				
CHKD: 曹利彬	2023. 12. 29	DG2002-4. 0-XXP-1Y-100A&Z (H)				
DRFT: 孙科豪	2023. 12. 29	DRAWING NO.	TYPE	DRAWING STATUS	SCALE	SHEET
		/	CUSTOMER DRAWING	已发布	1:1	2/4

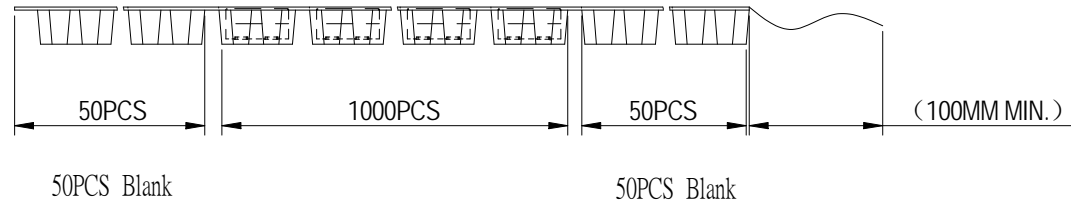
REV	ECN	DESCRIPTION	DRFT	DATE
00				

Transfer or duplication of this document as well as the utilization or communication of its contents are prohibited unless authorized in advance. Violations will be held for compensation. All rights reserved for patent, utility model or design registrations. 除专利权明确标注外，其他内容均受法律保护。未经许可，不得复制或传播。本公司保留对涉及发明、实用新型及外观设计、专利等权利的优先权。

02P Package



REELING DIRECTION

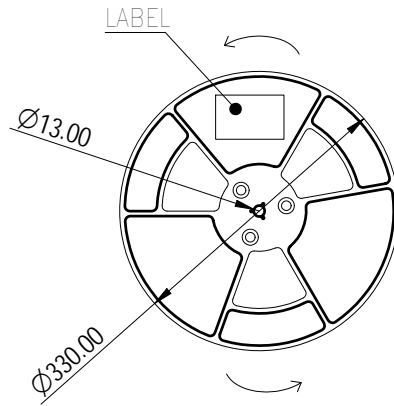
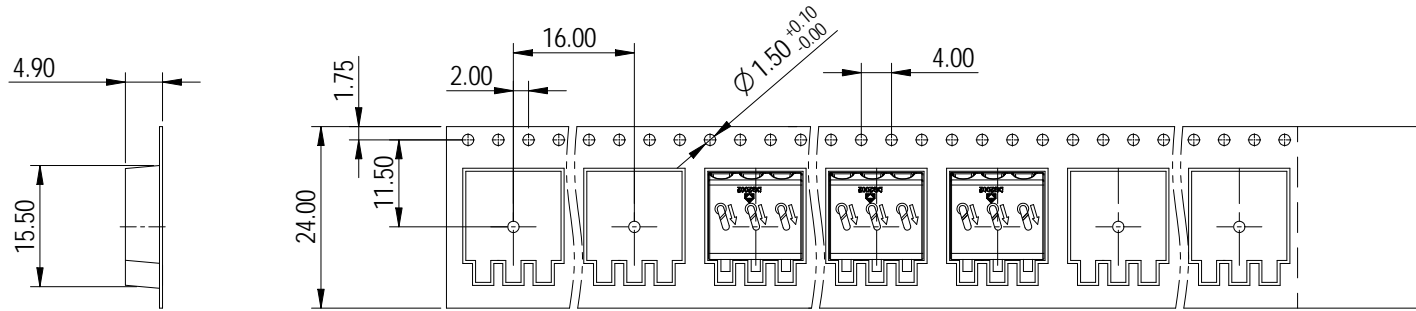


		MATERIAL:		SURFACE/COLOR:		
		MAT NO./REV: / 00		MAT STATUS: 批量		
APPD: 蓝贵凡	2023.12.29	NAME				
CHKD: 曹利彬	2023.12.29	DG2002-4.0-XXP-1Y-100A&Z(H)				
DRFT: 孙科豪	2023.12.29	DRAWING NO.	TYPE	DRAWING STATUS	SCALE	SHEET
A4		/	CUSTOMER DRAWING	已发布	1:1	3/4

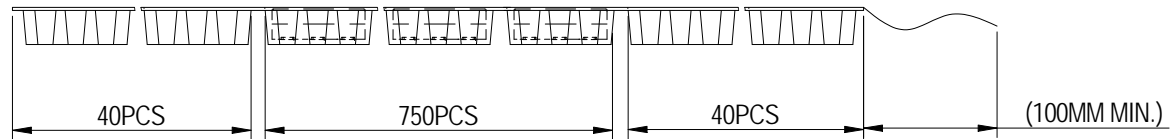
REV	ECN	DESCRIPTION	DRFT	DATE
00				

Transfer or duplication of this document as well as the utilization or communication of its contents are prohibited unless authorized in advance. Violations will be treated as counterfeiting. All rights reserved for patent, utility model or design registrations. 除专利等明确标注外，其余内容均受法律保护。未经许可，不得复制或传播。本公司保留对涉及专利、实用新型及外观设计等权利的所有权利。

03P Package



REELING DIRECTION



40PCS Blank

40PCS Blank

		MATERIAL:		SURFACE/COLOR:		
		MAT NO./REV: / 00		MAT STATUS: 批量		
APPD: 蓝贵凡	2023. 12. 29	NAME				
CHKD: 曹利彬	2023. 12. 29	DG2002-4. 0-XXP-1Y-100A&Z (H)				
DRFT: 孙科豪	2023. 12. 29	DRAWING NO.	TYPE	DRAWING STATUS	SCALE	SHEET
		/	CUSTOMER DRAWING	已发布	1:1	4/4

REV	ECN	DESCRIPTION	DRFT	DATE
00				

Transfer or duplication of this document as well as the utilization or communication of its content are prohibited unless authorized in writing by Degson. All rights reserved for patent, utility model or design registrations. 除专利等明确标注外，其他内容均受法律保护。未经授权，不得复制或传播。