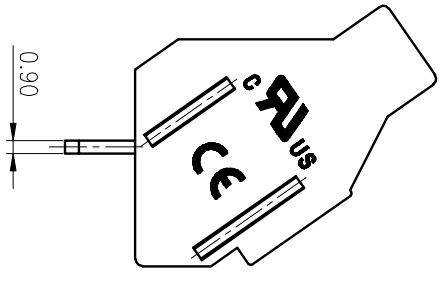
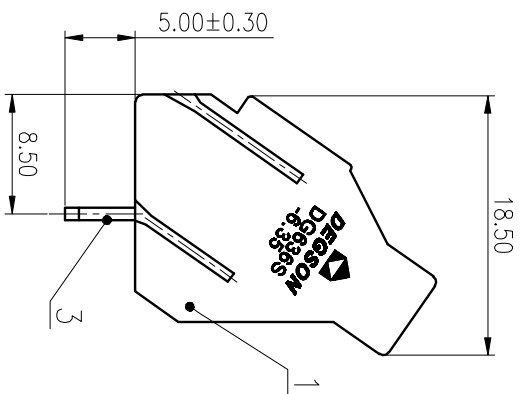
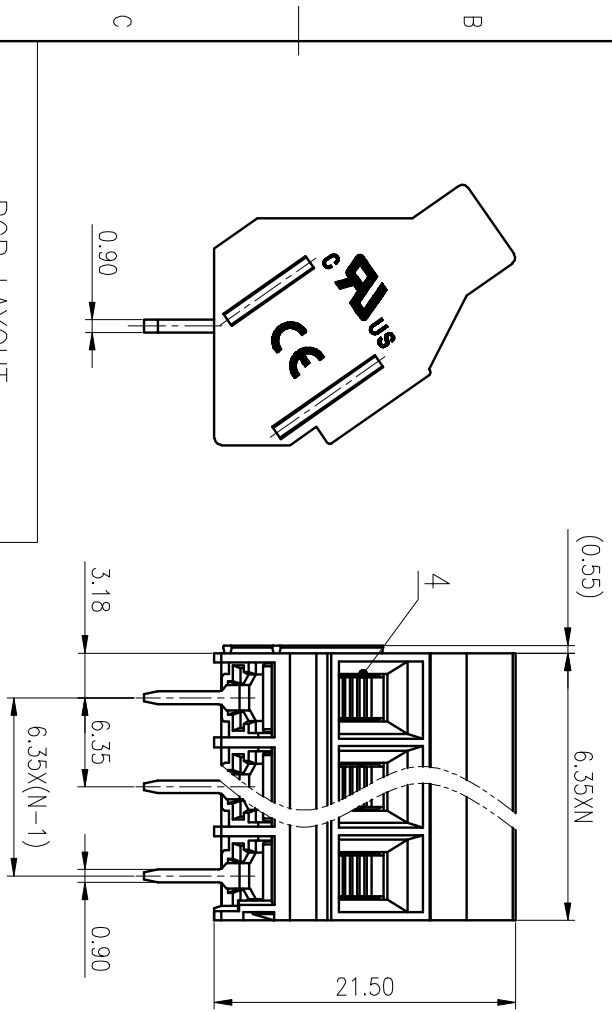
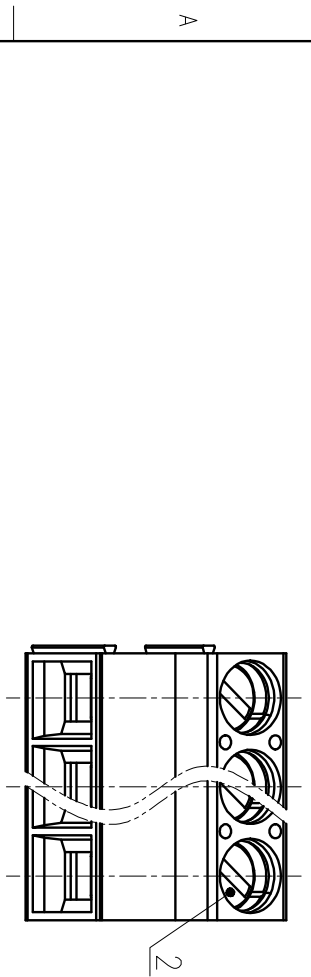
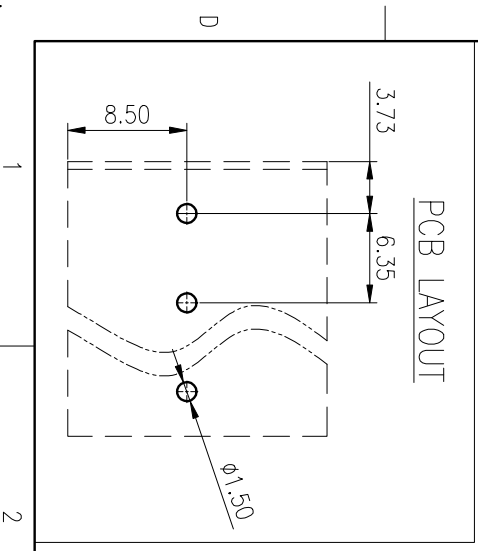


精度等级/General Tolerances(mm)		公差等级/General Tolerances(mm)										形位公差/Geometric Tolerances	
0	>3	>6	>10	>18	>30	>50	>80	>120	>180	>280	>315	>400	0.1/10
~	~	~	~	~	~	~	~	~	~	~	~	~	~
±0.12	±0.18	±0.22	±0.26	±0.31	±0.37	±0.57	±0.80	±0.93	±1.05	±1.15	±1.60	±2.20	±2.50
													±Z



4	Cage	Copper Alloy	M3.5/Ni Plated
3	Pin Header	Copper	Sn Plated
2	Screw	Steel	M3.5/Zn Plated
1	Housing	PA66	UL94V-0
ITEM	NAME OF PART	MATERIAL	NOTES
UL 标准/UL Standard:	B	C	D
额定电压/电压/Rated Voltage(V)	300/30	/	300/710
IEC 标准/IEC Standard:			
过压类别/Overvoltage Category/污染等级	II/2	III/2	III/3
污染度/Pollution Degree			
额定电压/电压/Rated Voltage(V)/Current(A)	1000/32	630/32	500/32
额定电压/电压/Rated Voltage(kV)/Rate Impulse Voltage(kV)	6.0		
螺栓扭矩/Torque Tightening(N·m/Lb·in)	M3.5: 0.2P-0.57/5.0 _q		
弹性范围(硬线预张紧)/Wire Range(rigid and flexible)(mm ² /AWG)	0.2~4/6(sol)/30~10		
间距/Pitch(mm)/线径范围/Pales	6.35/N=02~24P		
剥线长度/Stripping length(mm)	8~9		
使用温度范围/Operating Temperature(°C)	-40~+105		
符合RoHS环保要求/Agree firm to RoHS	Yes		



MATERIAL:	/
MAT NO.:	/
STATUS:	/
APPD:	Lan CHH 2020.05.16
CHKD:	Yu JZh 2020.05.16
DRT:	BYH 2018.07.04
SIZE:	A4
TYPE:	CUSTOMER DRAWING
SCALE:	2:1
SHEET:	1/1

NAME:	DG636S-6.35-XXP-1Y-00A(H)
DRAWING NO.:	DG636S-6.35-C01
REV:	T1

NINGBO DEGSON ELECTRICAL CO., LTD

宁波高松电子有限公司

REV	ECN	DESCRIPTION	DRT	DATE