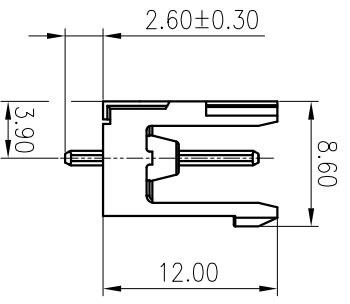
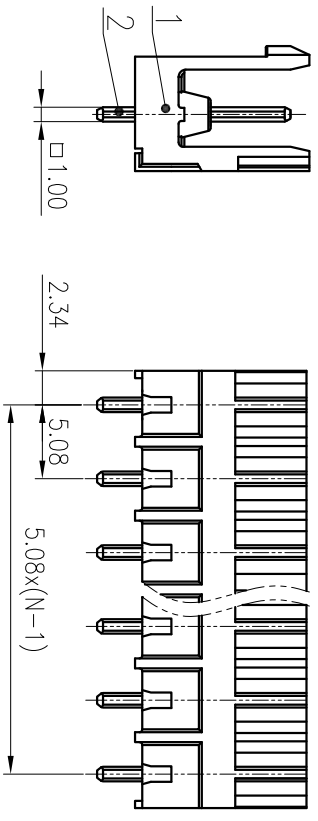
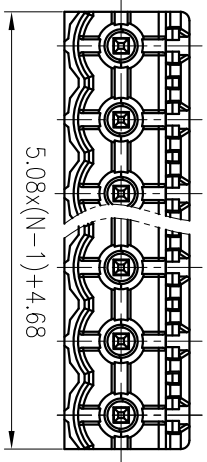
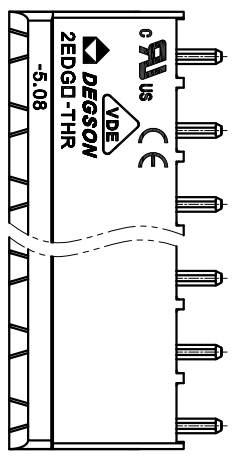
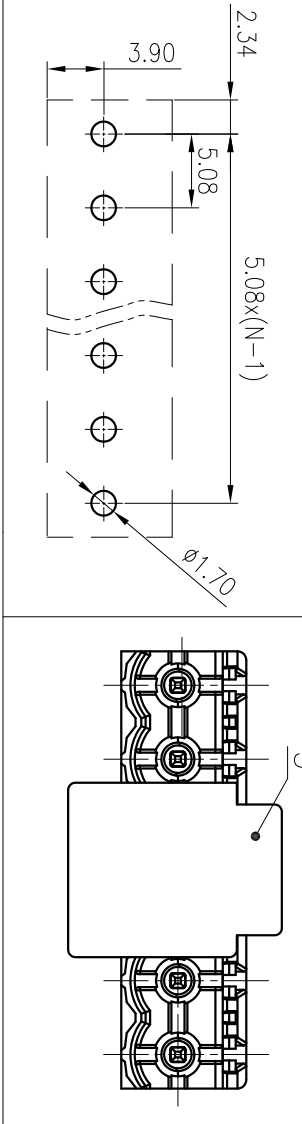


PCB LAYOUT

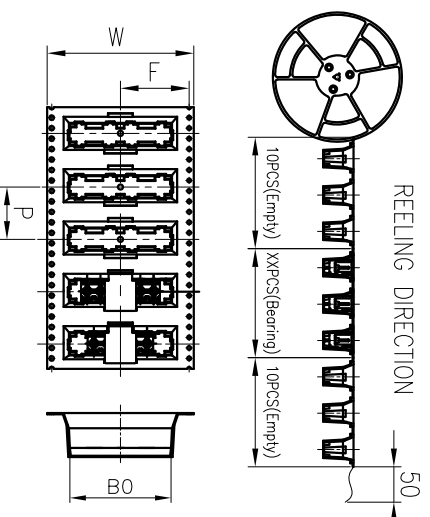


Reel Name	POLE	Width /W	Pitch /P	Width /F	Width /B0	Qty. per reel	Qty. per carton
ZEDGV-THR-5.08-REEL(32)	2~4	32mm	20mm	14.25mm	20.61mm	140	8
ZEDGV-THR-5.08-REEL(56)	5~8	56mm	20mm	26.25mm	36.67mm	140	5
ZEDGV-THR-5.08-REEL(88)	9~12	88mm	20mm	42.25mm	73.21mm	140	3

公差/General tolerances(mm)		0	>3	>6	>10	>18	>30	>50	>80	>120	>180	>250	>315	>400	>500	0.1/1.0
~	~	~	~	~	~	~	~	~	~	~	~	~	~	~	~	~
±0.12	±0.18	±0.22	±0.26	±0.31	±0.37	±0.57	±0.80	±1.05	±1.15	±1.60	±2.20	±2.50	±2.50	±2.50	±2	±2

Reference solely

REELING DIRECTION



3	Cap	Thermoplastic	UL94V-0
2	Pin	Copper	Sn Plated
1	Housing	Thermoplastic	UL94V-0
ITEM	NAME OF PART	MATERIAL	NOTES

UL 标准/UL Standard:	B	C	D
额定电压/Rated Voltage(V)/Current(A)	300/15	/	300/10
EC 标准/EC Standard:			
过压类别/Overvoltage Category/污染等级	III/3	III/2	II/2
额定电压/电流/Rated Voltage(V)/Current(A)	/	320/20	/
额定脉冲电压/电涌/Rate Impulse Voltage(kV)	/	4	/
线圈范围/Poles	N=02~12P		
使用温度范围/Operating temperature(°C)	-40~+130		
符合RoHS环保要求/Conform to RoHS	Yes		

SURFACE:

DEGSON 宁波高松电子有限公司  
NINGBO DEGSON ELECTRICAL CO., LTD

NAME: ZEDGV-THR-5.08-XXP-13-00A(H)

DRAWING NO.: ZEDGV-THR-5.08-C01  
TYPE: CUSTOMER DRAWING  
SCALE: 2:1  
SHEET: 1/1

REV	ECN	DESCRIPTION	DRAFT	DATE
1				
2				
3				

MAT NO.:	STATUS:	APPD:	CHKD:	DRAFT:	SIZE:
/	/	Lan Chh 2020.05.18	/	Wangl 2015.11.09	A4

REV	DATE	BY	CHKD	SCALE	SHEET
T2				2:1	1/1