

REVISION RECORD				
REV	ECN	DESCRIPTION	DRFT	DATE

**Technical specification:**

Inserts:

No. of contact: 3/4

Rated current:

Power contacts: 40A

Signal contacts: 10A

Rated voltage: 830V

Rated impulse voltage: 8kV

Pollution degree: 3

Rated voltage acc.to UL: 600V

Insulation resistance:  $\geq 10^9 \Omega$

Material: polycarbonate

Colour: RAL 7032(light grey)

Temperature range: -40°C - +125°C

Flammability acc.to UL 94: V0

Mating cycles:  $\geq 500$

Contacts:

Terminal: crimp terminal

Material: copper alloy

Surface:

hard-silver plated

hard-gold plated

Contact resistance:

Power contacts:  $\leq 1m\Omega$

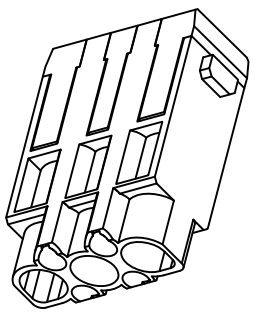
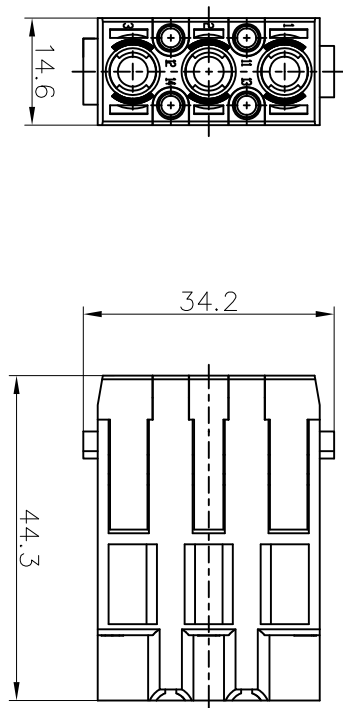
Signal contacts:  $\leq 3m\Omega$

Wire gauge:

Power contacts: 1.5-6mm<sup>2</sup>(16-10 AWG)

Signal contacts: 0.14-2.5mm<sup>2</sup>(26-14 AWG)

Note: Crimp contact pins should order separately



DETACHED LISTS			
PART NO.:	/	NAME:	<b>DEGSON</b> 宁波高松电子有限公司 NINGBO DEGSON ELECTRICAL CO., LTD
APPD:		NAME:	DMK-0034-MC
CHKD:		TITLE:	CUSTOMER DRAWING
DRFT:	YANG 2016.08.22	DRAWING NO.:	DMK-003/4-MC-E01
		THIRD ANGLE PROJECTION	SCALE
			1:1

A 8 7 6 5 4 3 2 1