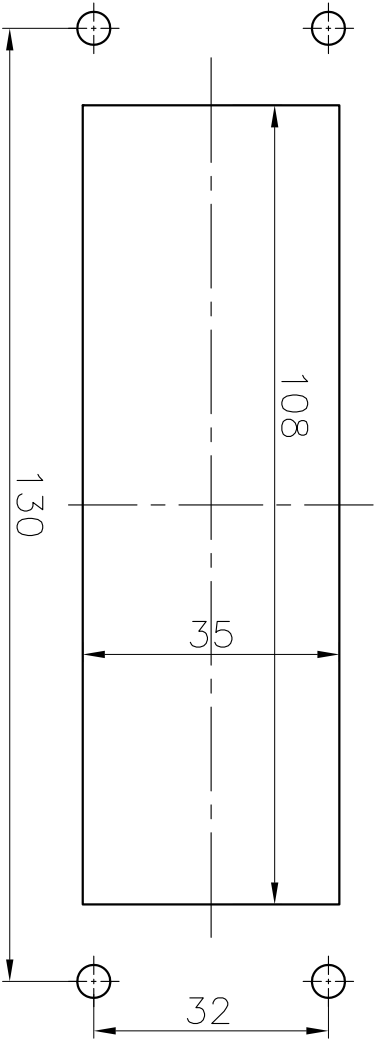
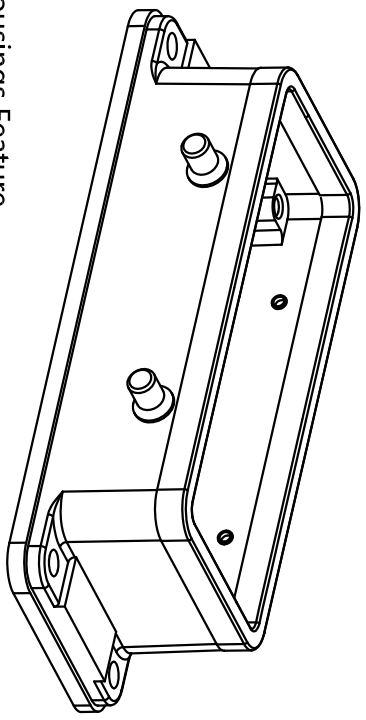
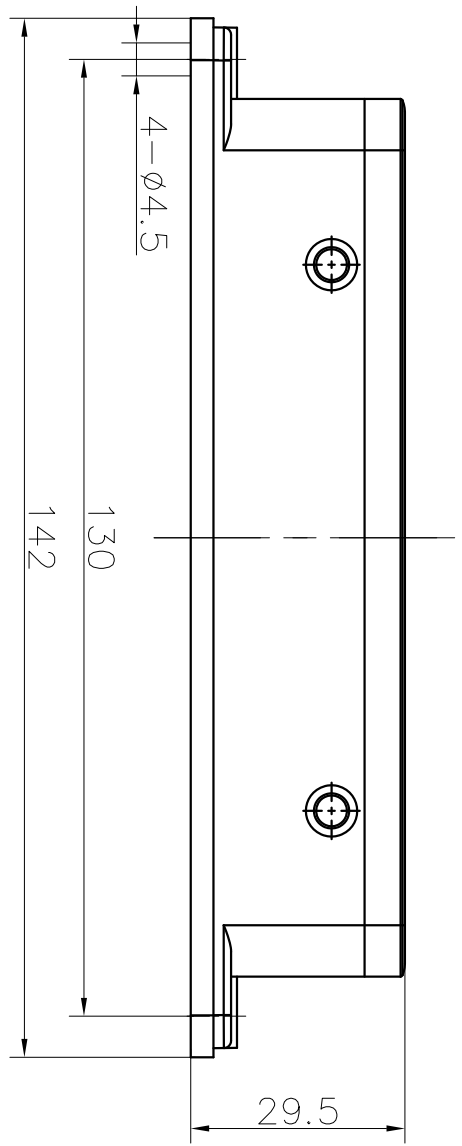
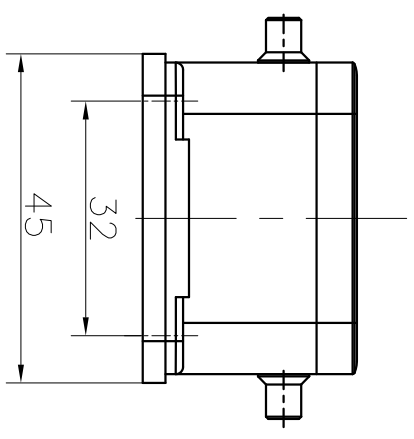


REVISION RECORD				
REV	ECN	DESCRIPTION	DRFT	DATE



Panel cut out

- Housings Feature
1. Material: aluminium die-cast
 2. Surface: Powder-coated
 3. Color: grey (RAL 7037)
 4. Sealing: NBR
 5. Limiting temperatures: -40°C ~ +125°C
 6. Flammability acc to UL94: V0
 7. Degree of protection acc to EN60529 for coupled connector: IP65
 8. Rohs compliance

DETACHED LISTS				
PART NO.:	/	NAME:	NINGBO DEGSON ELECTRICAL CO., LTD 宁波高松电子有限公司	
APPR:		DRAWING NO.:	D24B-BK-4g	
CHKD:		TITLE:	CUSTOMER DRAWING	
DRFT:	Mr. yong 2017/06/28	DRAWING NO.:		REV
		THIRD ANGLE PROJECTION	DO NOT SCALE DRAWING	DO-1
		SCALE		1/1
				1:1