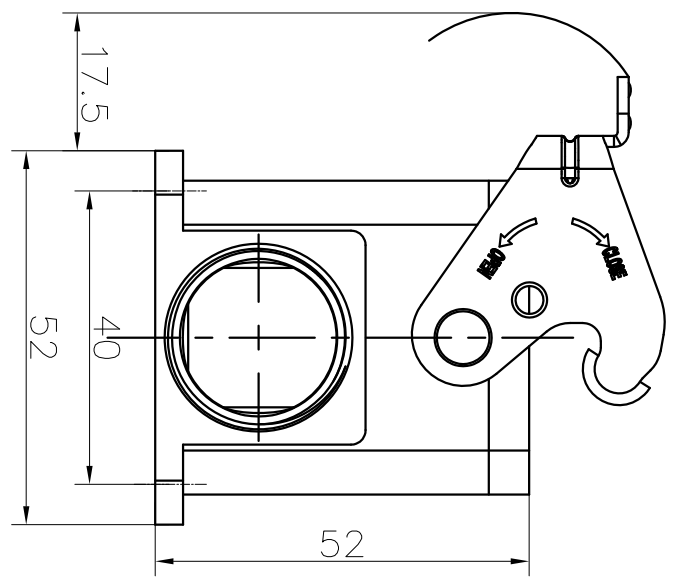
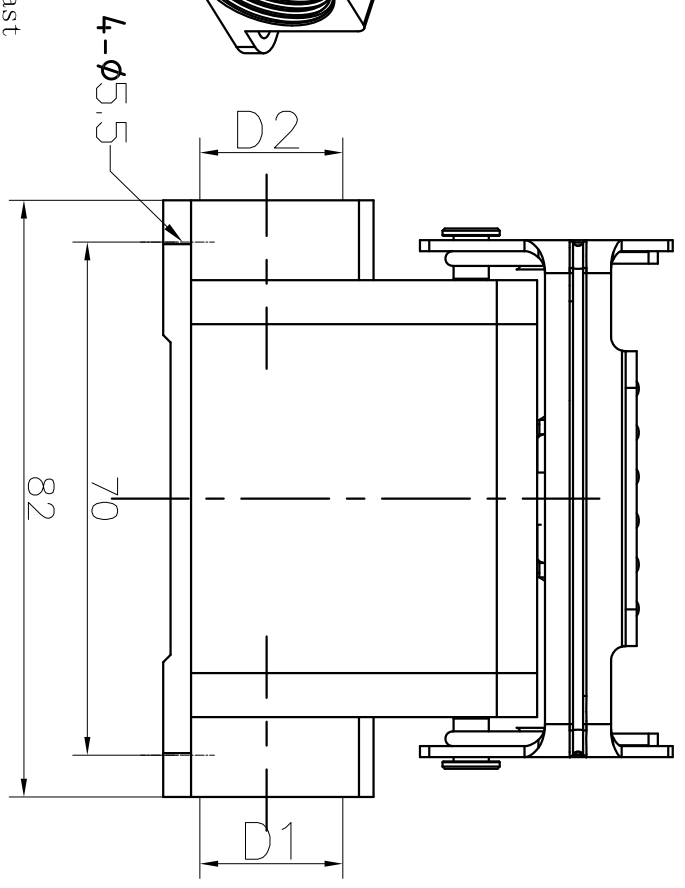
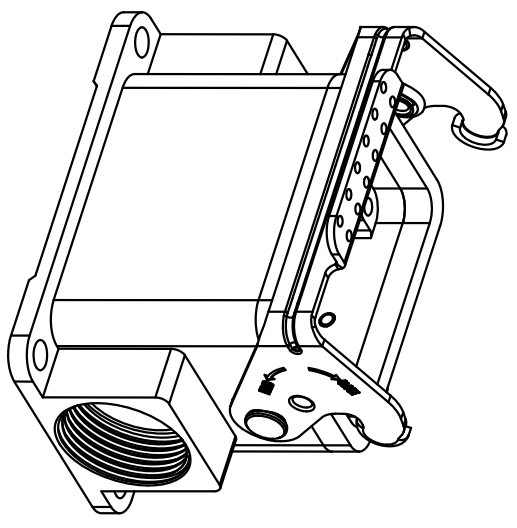


REVISION RECORD				
REV	ECN	DESCRIPTION	DRFT	DATE

TYPE	Thread		Selection
	D1	D2	
D6B-SF-1L-M20	M20	—	
D6B-SF-1L-2M20	M20	M20	
D6B-SF-1L-M25	M25	—	
D6B-SF-1L-2M25	M25	M25	
D6B-SF-1L-PG16	PG16	—	
D6B-SF-1L-2PG16	PG16	PG16	



Housings Feature

- 01. Material: aluminium die-cast
- 02. Surface: Powder-coated
- 03. Color: grey (RAL 7037)
- 04. Material: Metal (Lever)
- 05. Sealing: NBR
- 06. Limiting temperatures: -40°C ~ +125°C
- 07. Flammability acc to UL94: V0
- 08. Degree of protection acc. to EN60529 for coupled connector : IP65
- 09. Rohs compliance

DETACHED LISTS			
PART NO.:	/	NAME:	DEGSON NINGBO DEGSON ELECTRICAL CO., LTD 宁波高松电子有限公司
APPR.:		TITLE:	D6B-SF-1L-M/PG CUSTOMER DRAWING
CHKD.:		DRAWING NO.:	
DRFT:	Mr. yong 2017/06/28	REV	DO-1
THIRD ANGLE PROJECTION		SHEET	1/1
		SCALE	1:1

8 7 6 5 4 3 2 1