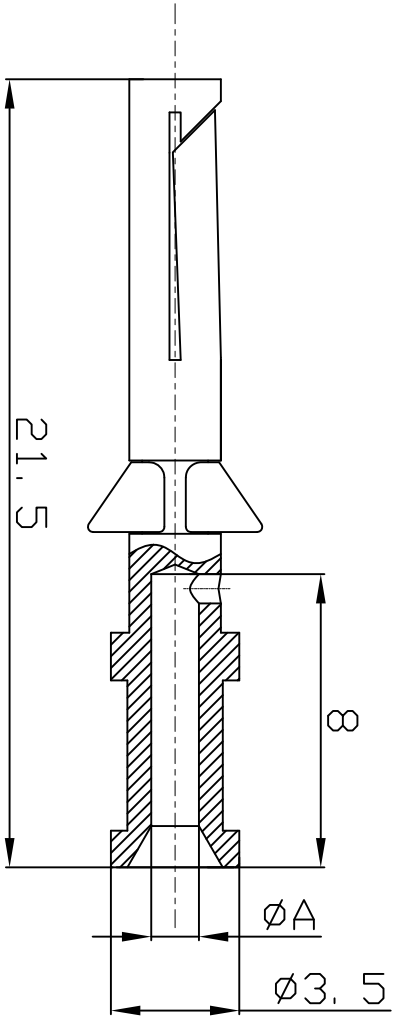


REVISION RECORD				
REV	ECN	DESCRIPTION	DRFT	DATE

Contacts, Gold-plated	(∅A)	Wire gauge		Recommended stripping length
		(mm <sup>2</sup> )	(AWG)	
Type of products				
10A-GF-0.37	0.9	0.14-0.37	26-22	8mm
10A-GF-0.5	1.1	0.50	20	8mm
◆ 10A-GF-0.75	1.3	0.75	18	8mm
10A-GF-1.0	1.45	1.00	18	8mm
10A-GF-1.5	1.75	1.50	16	8mm
10A-GF-2.5	2.25	2.50	14	6mm



Crimp contacts

- 01. Material :Copper alloy
- 02. Surface :Hard-Gold plated
- 03. Contact resistance : ≤3mΩ
- 04. Terminal :Crimp connection
- 05. Wire gauge :0.37-2.5mm<sup>2</sup> (AWG 22-14)
- 06. Rohs Compliance

DETACHED LISTS		宁波高松电子有限公司 NINGBO DEGSON ELECTRICAL CO.,LTD	
PART NO.:	/	NAME:	10A-Female Contacts(Gold-plated)
APPRD:		TITLE:	CUSTOMER DRAWING
CHKD:		DRAWING NO.:	/
DRFT:	Mr. Yang 2016.08.08	DO NOT SCALE DRAWING	SCALE
THIRD ANGLE PROJECTION		1MM (INCH)	SCALE
REV	DO	SHEET	DO
		1/1	
			5:1

A 8 7 6 5 4 3 2 1