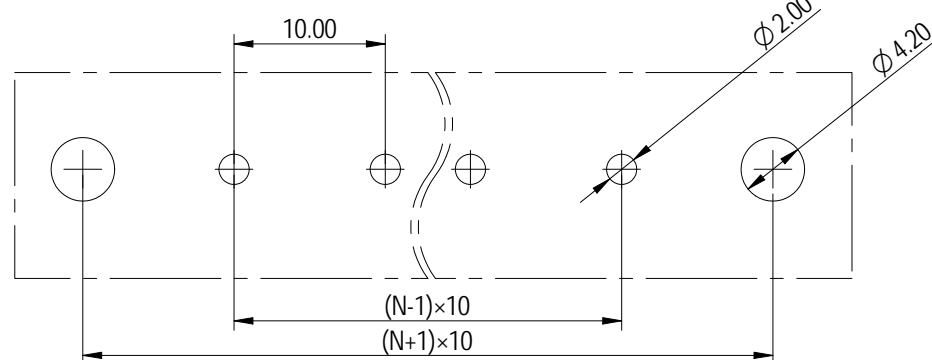
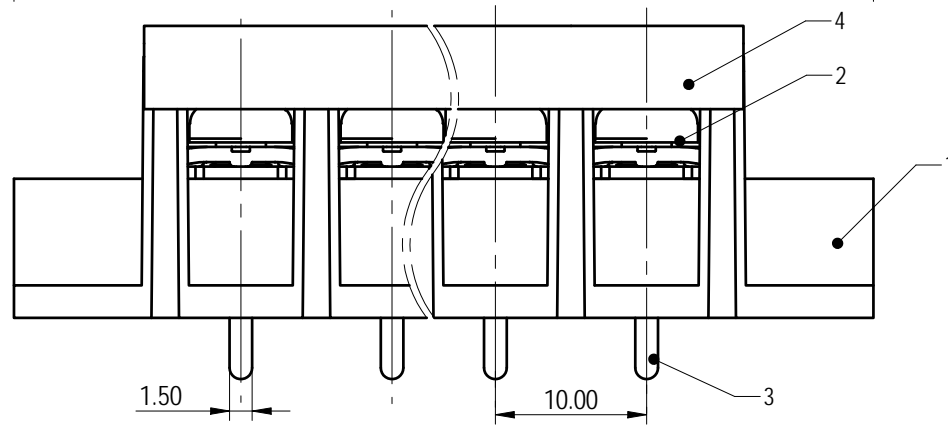
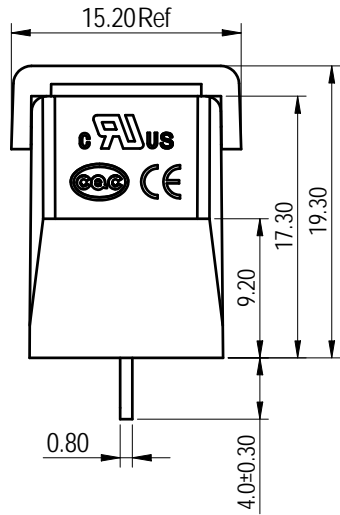
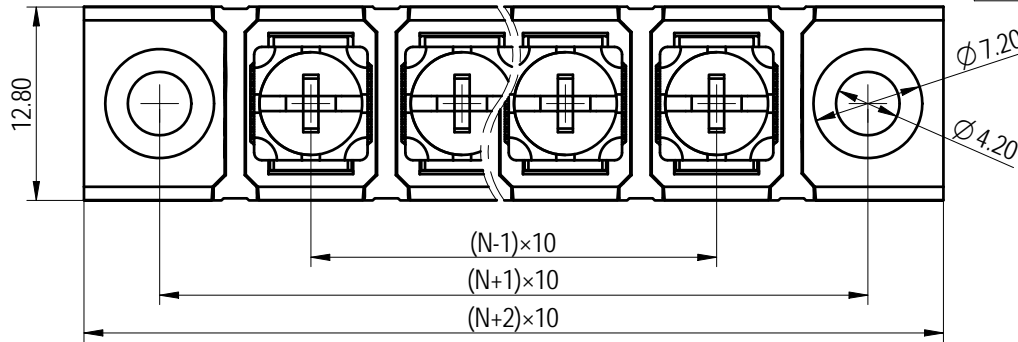


未注公差/General tolerances (mm)												0.1/10	
0	>3	>6	>10	>18	>30	>50	>80	>120	>180	>250	>315		>400
~3	~6	~10	~18	~30	~50	~80	~120	~180	~250	~315	~400	~500	>500
±0.12	±0.18	±0.22	±0.26	±0.31	±0.37	±0.57	±0.80	±0.93	±1.05	±1.15	±1.60	±2.20	±2.50

(W/O COVER VIEW)



PCB LAYOUT

Note: The A&Z(H) in the name means: A(H) and Z(H).

ITEM	NAME OF PART	MATERIAL	NOTES
4	Cover	PC	UL94V-0
3	Pin header	Copper alloy	M4/Sn Plated
2	Screw	Steel	M4/Ni Plated
1	Housing	PA66	UL94V-0

UL 标准/UL Standard:			
B	C	D	
300/20	/	300/10	
螺丝扭矩/Torque Tightening(N·m/Lb.in)			
M4, 1.2/10.53			
线径范围(硬线和软线)/Wire Range(rigid and flexible)(AWG/mm ²)			
22~12			
间距/Pitch(mm)/线数范围/Poles			
10/N=02~20P			
使用温度范围/Operating temperature(°C)			
-40~+105			
符合RoHS环保要求/Conform to RoHS			
Yes			

MATERIAL:		SURFACE/COLOR:	
MAT NO./REV: / 00		MAT STATUS: 批量	
APPD: 蓝贵凡	2022.12.05	NAME	
CHKD: 曹利彬	2022.12.05	DG58C-A-XXP-1Y-00A&Z(H)	
DRFT: 孙科豪	2022.12.05	DRAWING NO.	TYPE
		200122760	CUSTOMER DRAWING
		DRAWING STATUS	SCALE
		已发布	2:1
		SHEET	1/1

REV	ECN	DESCRIPTION	DRFT	DATE
00				

Transfer or duplication of this document as well as the utilization or communication of its contents are prohibited unless authorized in writing. All rights reserved for patent, utility model or design registrations. 除专利、实用新型、外观设计、软件著作权等权利外，其他权利均归本公司所有。未经许可，不得复制或传播。