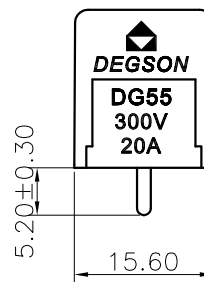
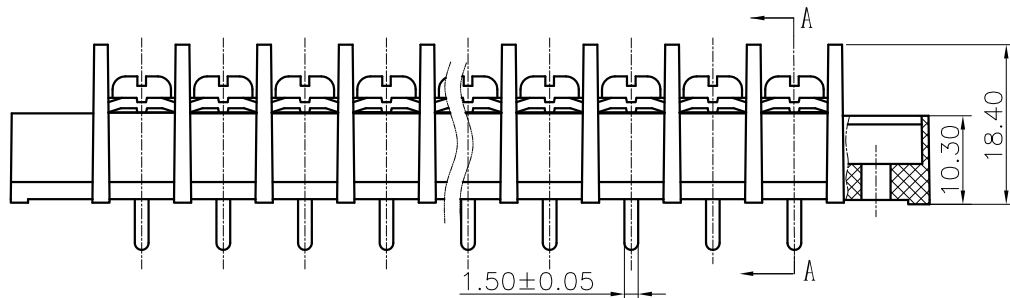
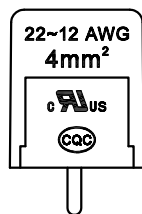
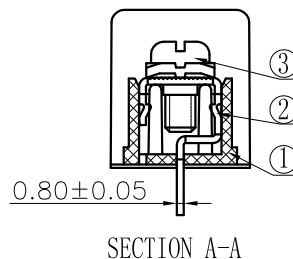
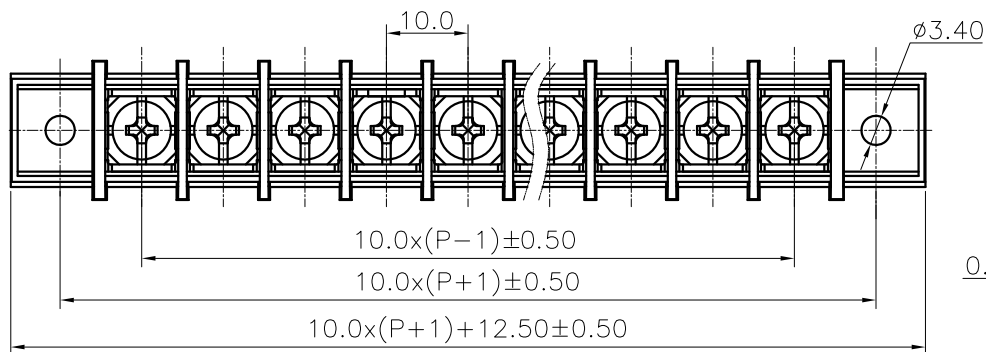
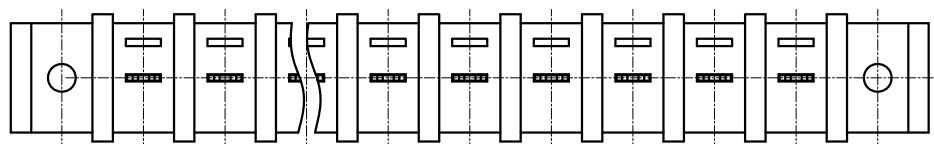


未注公差/General tolerances(mm)													0.1/10	
0	>3	>6	>10	>18	>30	>50	>80	>120	>180	>250	>315	>400		
~3	~6	~10	~18	~30	~50	~80	~120	~180	~250	~315	~400	~500	>500	
±0.12	±0.18	±0.22	±0.26	±0.31	±0.37	±0.57	±0.80	±0.93	±1.05	±1.15	±1.60	±2.20	±2.50	±2'



3	4*8 bright Screws	Steel	Ni Plated
2	DG45C Pin header	Brass	Sn Plated
1	DG55C-A Housing	PA66	UL94V-0

ITEM	NAME OF PART	MATERIAL	NOTES
UL 标准/UL Standard:		B	C
额定电压/电流/Rated Voltage(V)/Current(A)		300/20	300/20
工频耐压/Withstanding voltage :		AC2000V/1Min	
IEC 标准/IEC Standard:			
过压类别/Overvoltage Category/污染等级/Pollution Degree		III/3	III/2
额定电压/电流/Rated Voltage(V)/Current(A)		/	/
额定脉冲电压(KV)/Rate Impulse Voltage(KV)		/	/
螺丝扭矩/Torque Tightening(Lb.in)		10.64	
线径范围(硬线和软线)/Wire Range(rigid and flexible)(AWG)		22~12	
间距/Pitch(mm)/线数范围/Poles		10/N=02~24P	
剥线长度/Stripping length(mm)		/	
使用温度范围/Operating temperature(°C)		-40~+105	
符合RoHS环保要求/Conform to RoHS		Yes	
标准颜色编号/Standard color number:		/	
PANTONE / RAL		/	



MATERIAL: /	SURFACE: /		
MAT NO.: /	宁波高松电子有限公司 NINGBO DEGSON ELECTRICAL CO., LTD		
STATUS: /			
APPD:	NAME: DG55C-A-XXP-1Y-00A(H)		
CHKD:	DRAWING NO.: DG55C-E03		
DRFT: WSJ 11/03/03''	REV	TO	
REV	ECN	DESCRIPTION	DRFT
⊕	SIZE: A4	mm (inch)	TYPE: CUSTOMER DRAWING
SCALE: 1:1		SHEET 1/1	