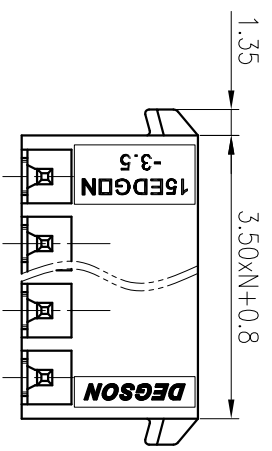
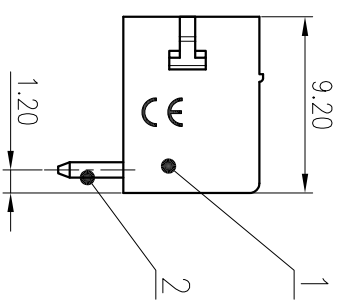
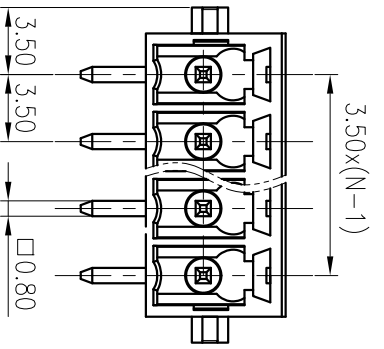
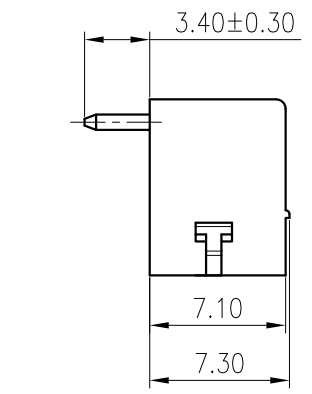
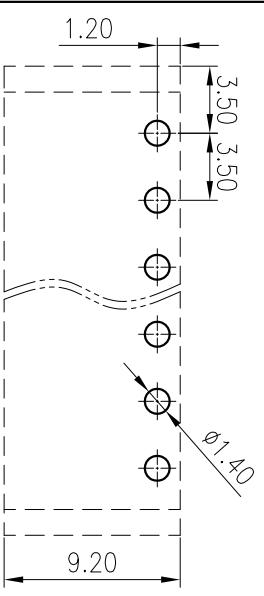


公差表 (General Tolerances)		公差 (mm)	
0	>3	>10	>18
~	~	~	~
3	6	10	18
±0.12	±0.18	±0.22	±0.26
±0.31	±0.37	±0.57	±0.80
±1.05	±1.15	±1.60	±2.20
±2.50	±2.50	±2.50	±2.50
0.1/10	±2'		



PCB LAYOUT



研发中心  
管发专用  
2020.05.28  
(仅限内部使用, 对外无效)

ITEM	NAME OF PART	MATERIAL	NOTES
2	Pin	Copper alloy	Sn plated
1	Housing	PA66	UL94V-0

UL 标准/UL Standard:	B	C	D
额定电压/电流/Rated Voltage(V)/Current(A)	300/8	/	300/8
IEC 标准/IEC Standard:			
过压类别/Overvoltage Category/污秽等级/Pollution Degree	III/3	III/2	II/2
额定电压/电流/Rated Voltage(V)/Current(A)	/	/	250/7
额定脉冲电压(KV)/Rate Impulse Voltage(KV)	/	/	2.5
间距/Pitch(mm)/线数范围/Poles	3.5/N=02~22P		
使用温度范围/Operating Temperature(°C)	-40~+105		
符合RoHS环保要求/Conform to RoHS	Yes		

REV	ECN	DESCRIPTION	DRFT	DATE
(1)		Change the frame	Wu LF	2020.05.28

MATERIAL:	
MAT NO.:	/
STATUS:	/
App:lan	ChH 2020.05.28
CHKD:YU	JZh 2020.05.28
DRFT:	BYH 2019.04.02
NAME:	15EDGRN-3.5-XXP-1Y-00A(H)
DRAWING NO.:	15EDGRN-3.5-C01
TYPE:	CUSTOMER DRAWING
SCALE:	2.5:1 SHEET 1/1
REV	T1

宁波高松电子有限公司  
NINGBO DEGSON ELECTRICAL CO., LTD