

REVISION RECORD

REV	ECN	DESCRIPTION	DRFT	DATE

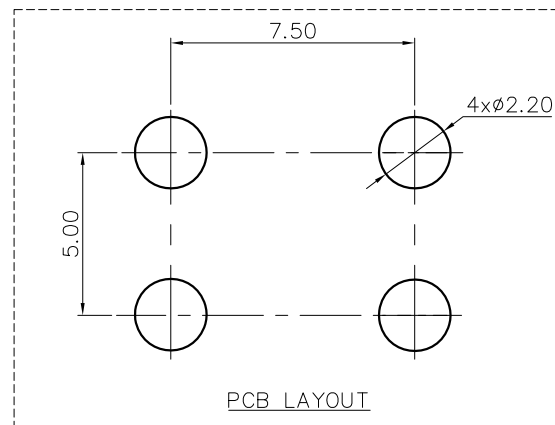
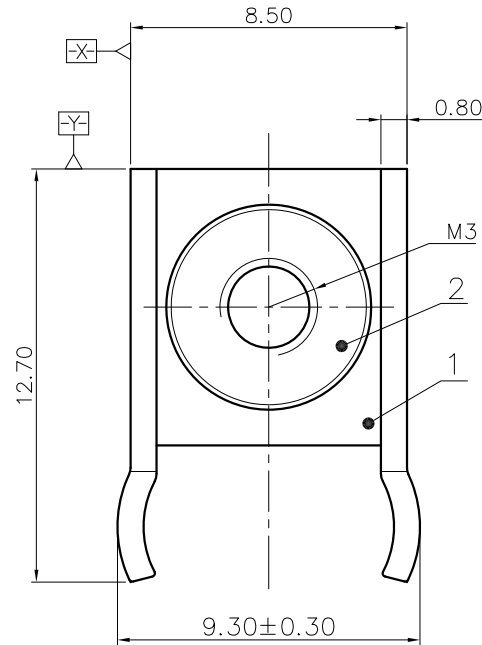
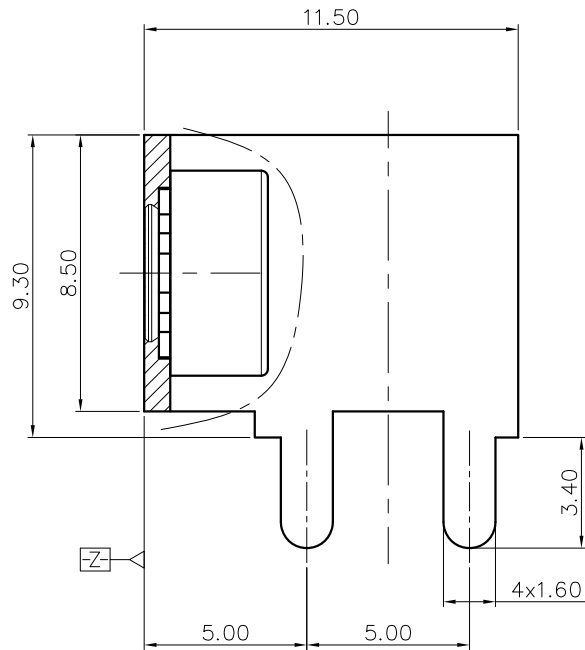
NOTES:

- Rated current : 60A
- Torque value : M3 , 1.0N.m
- Dimension shall be interpreted per ASME Y14.5-2009
- Undimensioned tolerances:

Pitch range in mm	Over		Nominal dimension range in mm		-	∩	∇	
	To	To	To	To				
6	10	24	30	60	100	150	0.1/10	
±0.15	±0.20	±0.30	±0.30	±0.50	±0.70	±1.00	±1.30	±2'

5.RoHS Compliance

K94 - 01A (H)
 (Series No.) (RoHS)
 01A-(Customer Request)



ITEM	NAME OF PART	MATERIAL	NOTES
2	NUT	STEEL	M3/Zn Plated
1	Pin Header	Copper alloy	Sn Plated

DETACHED LISTS	PART NO.:	/	宁波高松电子有限公司 NINGBO DEGSON ELECTRICAL CO., LTD		
	APPD:		NAME: K94-01A(H)		
	CHKD:		TITLE: CUSTOMER DRAWING		
	DRFT: Ding 2018.03.06		DRAWING NO.:	K94-C01	REV TO
THIRD ANGLE PROJECTION		MM (INCH)	DO NOT SCALE DRAWING	SCALE	1:1