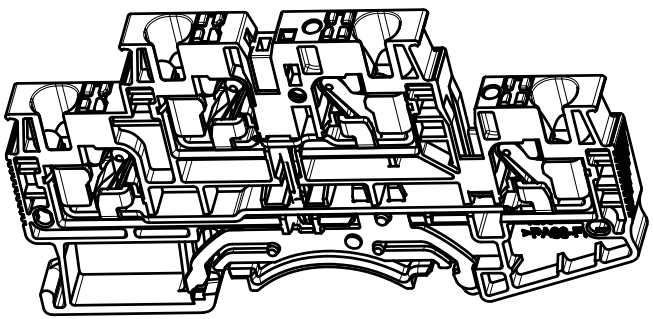
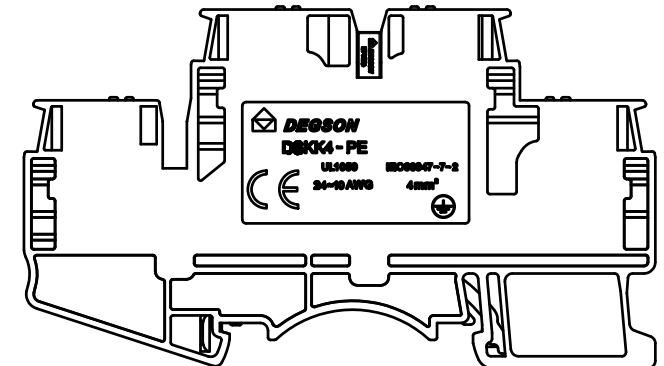
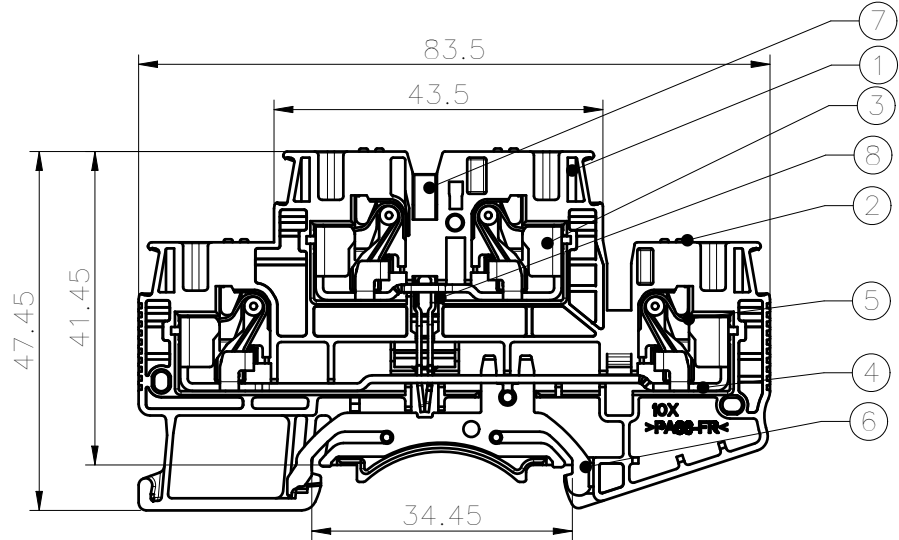
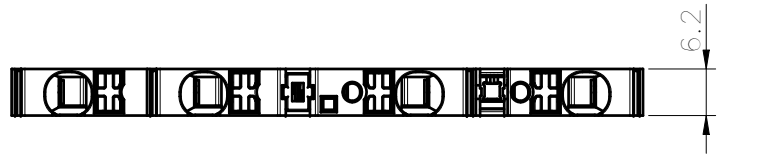


Transfer or duplication of this document as well as the utilization or communication of its contents are prohibited unless written authorization is granted. Customers will be liable for compensation. All rights reserved for patent, utility model or design registrations. 非经书面明确授权, 否则禁止转让、复制、利用、交加本文件的内容, 一经发现负法律责任, 侵权者将承担全部法律责任。 本公司保留对涉及发明、实用新型和外观设计的所有权利。

未注公差/General tolerances(mm)												0.1/10	
0	>3	>6	>10	>18	>30	>50	>80	>120	>180	>250	>315		>400
±0.12	±0.18	±0.22	±0.26	±0.31	±0.37	±0.57	±0.80	±0.93	±1.05	±1.15	±1.60	±2.20	±2.50
~3	~6	~10	~18	~30	~50	~80	~120	~180	~250	~315	~400	~500	~>500



ITEM	NAME OF PART	MATERIAL	NOTES
8	Bridge-piece-metal	Copper	Sn Plated
7	Bridge-piece-housing	PA66	UL94V-0
6	Grounding	Copper alloy	Sn Plated
5	Spring	Steel	/
4	Current carrier2	Copper	Sn Plated
3	Current carrier 1	Copper	Sn Plated
2	Button	PA66+GF%	UL94V-0
1	Housing	PA66	UL94V-0

线径范围(硬线和软线)/Wire Range(rigid and flexible)(AWG/mm <sup>2</sup> )	24~10 / 0.2~4
间距/Pitch(mm) 线数范围/Poles	6.2/01P
剥线长度/Stripping length(mm)	11~13
使用温度范围/Operating temperature(°C)	-40~+105
符合 RoHS 环保要求/Conform to RoHS	Yes
标准颜色编号/Standard color number: PANTONE / RAL	/

<b>DEGSON</b>		MATERIAL: /	SURFACE: /
		MAT. NO./REV: /	MAT STATUS: /
APPD: Li GL	2022.06.08	NAME	
CHKD: Ma EK	2022.06.08	DSKK4-PE-01P-1C-00A (H)	
DRFT: Huo SR	2022.06.08	DRAWING NO. /	TYPE CUSTOMER DRAWING
		DRAWING STATUS /	SCALE 2:1
		SHEET 1/1	

REV	ECN	DESCRIPTION	DRFT	DATE
00	/	/	Huo SR	2022.06.08