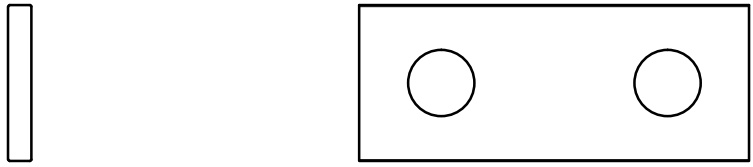
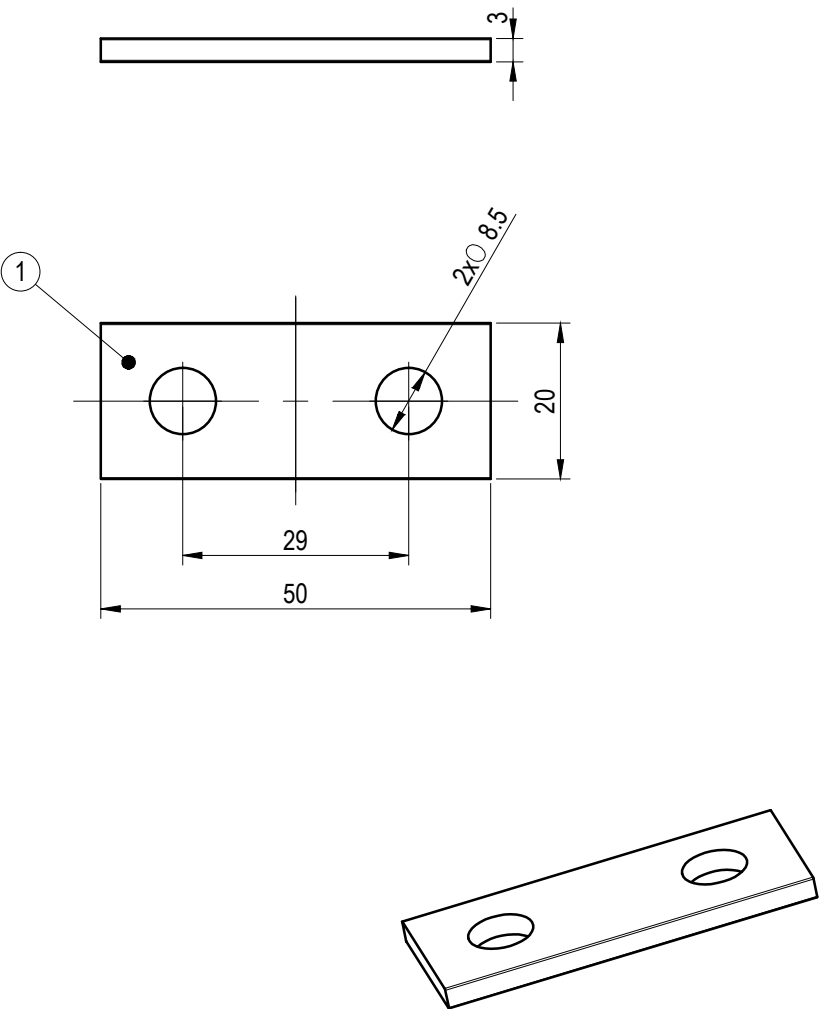


Transfer or duplication of this document as well as the utilization or communication of its contents are prohibited unless explicit authorization is granted. Violations will be liable for compensation. All rights reserved for patent utility model or designs registrations. 未经授权复制或传播本文件中的内容、使用模型或设计等权利均保留在权利人。本公司保留对涉及发明、实用新型或外观设计等权利的专利申请权。

| 未注公差/General tolerances(mm) | | | | | | | | | | | | | | 0.1/10 ±2' |
|---|--------------|---------------|----------------|----------------|----------------|----------------|-----------------|------------------|------------------|------------------|------------------|------------------|-------|---------------|
| 0 ~ 3 | >3 ~ 6 | >6 ~ 10 | >10 ~ 18 | >18 ~ 30 | >30 ~ 50 | >50 ~ 80 | >80 ~ 120 | >120 ~ 180 | >180 ~ 250 | >250 ~ 315 | >315 ~ 400 | >400 ~ 500 | >500 | |
| ±0.12 | ±0.18 | ±0.22 | ±0.26 | ±0.31 | ±0.37 | ±0.57 | ±0.80 | ±0.93 | ±1.05 | ±1.15 | ±1.60 | ±2.20 | ±2.50 | |
| UL 标准/UL Standard: | | | | | | | | | | | B | C | D | |
| 额定电压/电流/Rated Voltage(V)/Current(A) | | | | | | | | | | | 600/175 | / | / | |
| IEC 标准/IEC Standard: | | | | | | | | | | | | | | |
| 过压类别/Overvoltage Category/污染等级/Pollution Degree | | | | | | | | | | | III/3 | III/2 | II/2 | |
| 额定电压/电流/Rated Voltage(V)/Current(A) | | | | | | | | | | | 1000/192 | / | / | |
| 额定脉冲电压(KV)/Rate Impulse Voltage(KV) | | | | | | | | | | | 8 | / | / | |
| 间距/Pitch(mm)线数范围/Poles | | | | | | | | | | | 29N=01P | | | |
| 符合RoHS环保要求/Conform to RoHS | | | | | | | | | | | Yes | | | |



| 1 | Current carrier | Copper | Sn Plated |
|------|-----------------|----------|-----------|
| ITEM | NAME OF PART | MATERIAL | NOTES |

| | | | | | |
|-----------|--|------------------|--|----------------|--|
| | | MATERIAL: | | SURFACE/COLOR: | |
| APPD: LGL | | 2022.09.06 | | NAME | |
| CHKD: MCK | | 2022.09.06 | | BS8-VB2 | |
| DRFT: ZQX | | 2022.09.06 | | DRAWING NO. | |
| ④ A4 | | 200102076 | | TYPE | |
| | | CUSTOMER DRAWING | | DRAWING STATUS | |
| | | work | | SCALE | |
| | | 1:1 | | SHEET | |
| | | 1/1 | | | |

| REV | ECN | DESCRIPTION | DRFT | DATE |
|-----|-----|-------------|------|------|
| 00 | / | / | | |