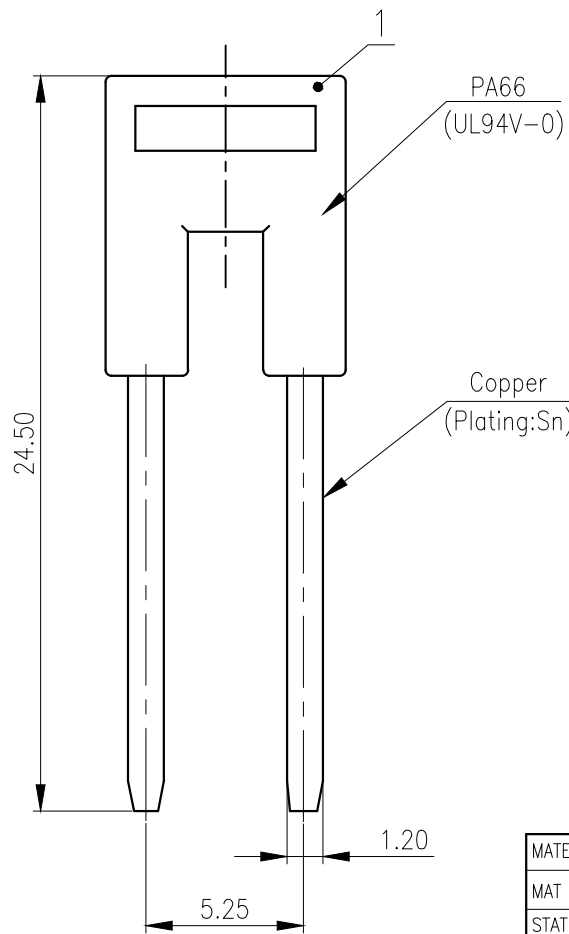
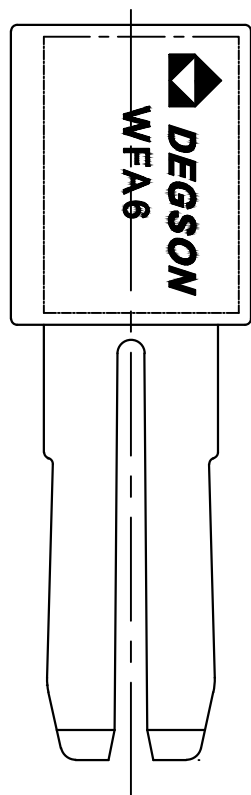
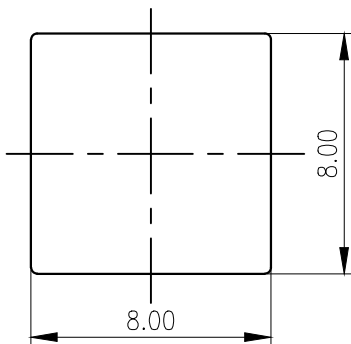


未注公差/General tolerances(mm)													0.1/10	
0 ~ 3	>3 ~ 6	>6 ~ 10	>10 ~ 18	>18 ~ 30	>30 ~ 50	>50 ~ 80	>80 ~ 120	>120 ~ 180	>180 ~ 250	>250 ~ 315	>315 ~ 400	>400 ~ 500		>500
±0.12	±0.18	±0.22	±0.26	±0.31	±0.37	±0.57	±0.80	±0.93	±1.05	±1.15	±1.60	±2.20	±2.50	±2'



1	WFA6		
ITEM	NAME OF PART	MATERIAL	NOTES
间距/Pitch(mm)/线数范围/Poles			5.25/01P
使用温度范围/Operating temperature(°C)			-40~+105
符合RoHS环保要求/Conform to RoHS			Yes

MATERIAL:		SURFACE:		
MAT NO.:	/	宁波高松电子有限公司 NINGBO DEGSON ELECTRICAL CO., LTD		
STATUS:	/			
APPD:	Li GL 2020.06.06	NAME:		
CHKD:	Mao J 2020.06.06	WFA6-01P-1Y-00A(H)		
DRFT:	Feng X 2020.05.23			
DRAWING NO.:		WFA6-C01	REV	T0
SIZE: A4		TYPE: CUSTOMER DRAWING	SCALE: 4:1	SHEET 1/1

REV	ECN	DESCRIPTION	DRFT	DATE