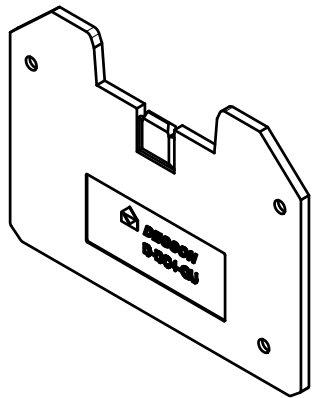
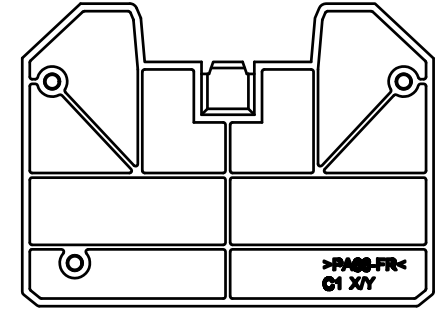
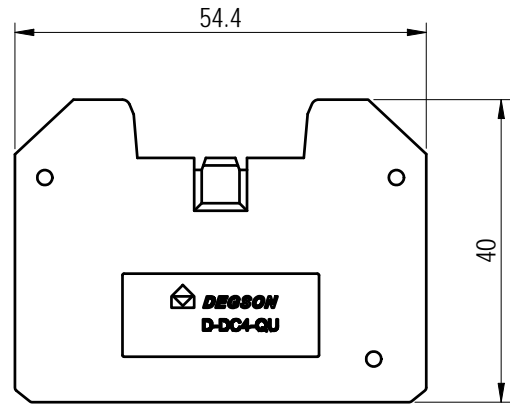
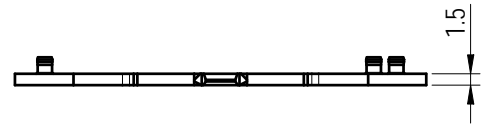


Transfer or duplication of this document as well as the utilization or communication of its contents are prohibited unless authorized in writing by Degson. All rights reserved for patent, utility model or design registrations. 除专利、实用新型、外观设计、商标、印刷、光磁等文件外，其他文件均受版权保护。未经许可，不得复制或传播。 Degson 保留所有权利。

未注公差/General tolerances (mm)												0.1/10		
0 ~ 3	>3 ~ 6	>6 ~ 10	>10 ~ 18	>18 ~ 30	>30 ~ 50	>50 ~ 80	>80 ~ 120	>120 ~ 180	>180 ~ 250	>250 ~ 315	>315 ~ 400		>400 ~ 500	>500
±0.12	±0.18	±0.22	±0.26	±0.31	±0.37	±0.57	±0.80	±0.93	±1.05	±1.15	±1.60	±2.20	±2.50	±2'

技术要求/Technical requirements:	
阻燃等级/Flame class	UL94V-0
线数/Poles	01P
使用温度范围/Operating temperature(°C)	-40~+105
符合 RoHS 环保要求/Conform to RoHS	Yes



		MATERIAL: PA66	SURFACE/COLOR: /		
		MAT NO./REV: /	MAT STATUS: /		
APPD: Peng M	2022.06.08	NAME			
CHKD: Gao WG	2022.06.08	D-DC4-QU-01P-1Y-00A (H)			
DRFT: Chen KZ	2022.06.08	DRAWING NO. /	TYPE	DRAWING STATUS	SHEET
A4		CUSTOMER DRAWING		/	2:1

REV	ECN	DESCRIPTION	DRFT	DATE
00	/	/	Chen KZ	2022.06.08

A

B

C

D