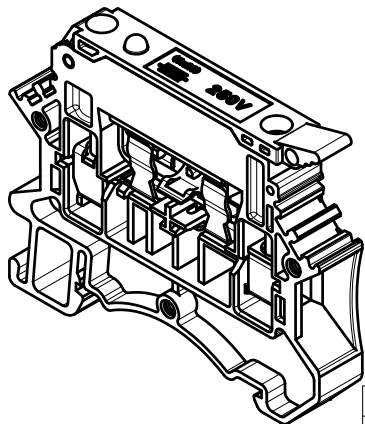
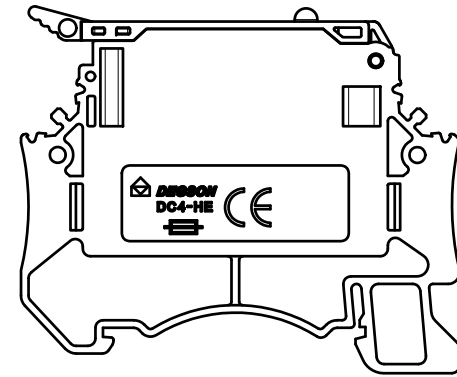
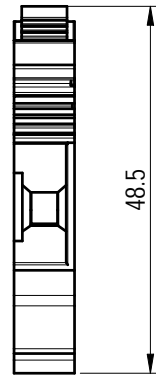
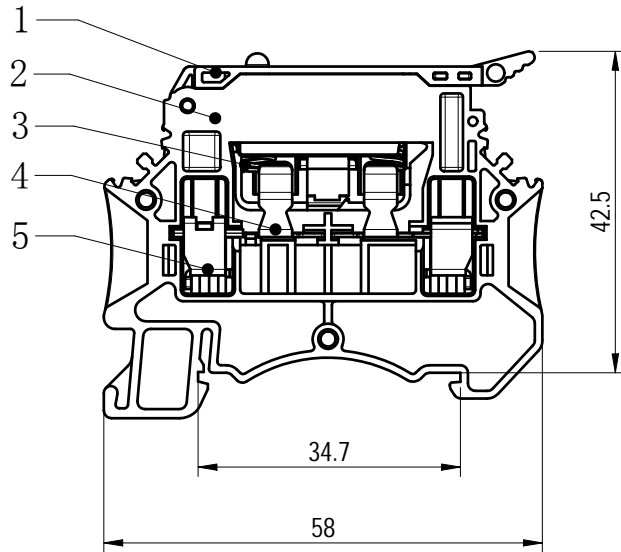


未注公差/General tolerances (mm)											0.1/10		
0	>3	>6	>10	>18	>30	>50	>80	>120	>180	>250			
~3	~6	~10	~18	~30	~50	~80	~120	~180	~250	~315	~400	~500	>500
±0.12	±0.18	±0.22	±0.26	±0.31	±0.37	±0.57	±0.80	±0.93	±1.05	±1.15	±1.60	±2.20	±2.50

UL 标准/UL Standard:	B	C	D
额定电压/电流/Rated Voltage(V)/Current(A)	/	/	/
IEC 标准/IEC Standard:			
过压类别/Overvoltage Category/污染等级/Pollution Degree	III/3	III/2	II/2
额定电压/电流/Rated Voltage(V)/Current(A)	250/6.3	/	/
额定脉冲电压(KV)/Rate Impulse Voltage(KV)	/	/	/
螺丝扭矩/Torque Tightening(N·m/Lb.in)	M3, 0.5/4.43		
线径范围(硬线和软线)/Wire Range(rigid and flexible)(AWG/mm ²)	22~10 / 0.5~4, 6(Sol)		
间距/Pitch(mm)/线数范围/Poles	8.0/01P		
剥线长度/Stripping length(mm)	9		
使用温度范围/Operating temperature(°C)	-40~+105		
符合 RoHS 环保要求/Conform to RoHS	Yes		



ITEM	NAME OF PART	MATERIAL	NOTES
7	LED lamp assembly	/	/
6	Screw	Steel	Zn plated
5	Cage	Steel	Zn plated
4	Clamp	Copper	Sn plated
3	Spring	Stainless steel	/
2	Body housing	PA66	UL94V-0
1	Fuse housing	PA66	UL94V-0

		MATERIAL: /	SURFACE/COLOR: /	
APPD: Peng M 2022.08.20		MAT NO./REV: / //		MAT STATUS: /
CHKD: Gao WG 2022.08.20		NAME		
DRFT: Huang RJ 2022.08.20		DC4-HE-LD250-01P-1Y-00A (H)		
00	/	/	Huang RJ	2022.08.20
REV	ECN	DESCRIPTION	DRFT	DATE
			DRAWING NO.	TYPE
			/	CUSTOMER DRAWING
			DRAWING STATUS	SCALE
			/	1:1
			SHEET	1/1

00	/	/	Huang RJ	2022.08.20
REV	ECN	DESCRIPTION	DRFT	DATE

Transfer or duplication of this document as well as the utilization or communication of its content are prohibited unless authorized in writing by Degson. All rights reserved for patent. 未经授权复制或传播本文件内容，或在本文件内容基础上进行设计、开发、制造、使用、分发等任何行为均属于侵权行为。Degson 保留所有权利。