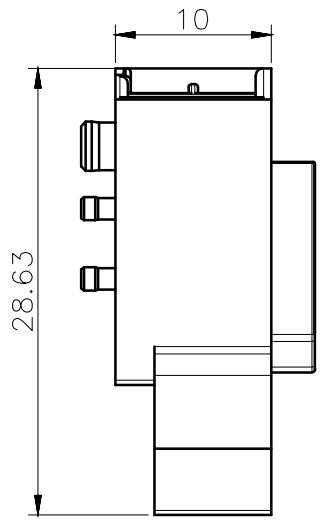
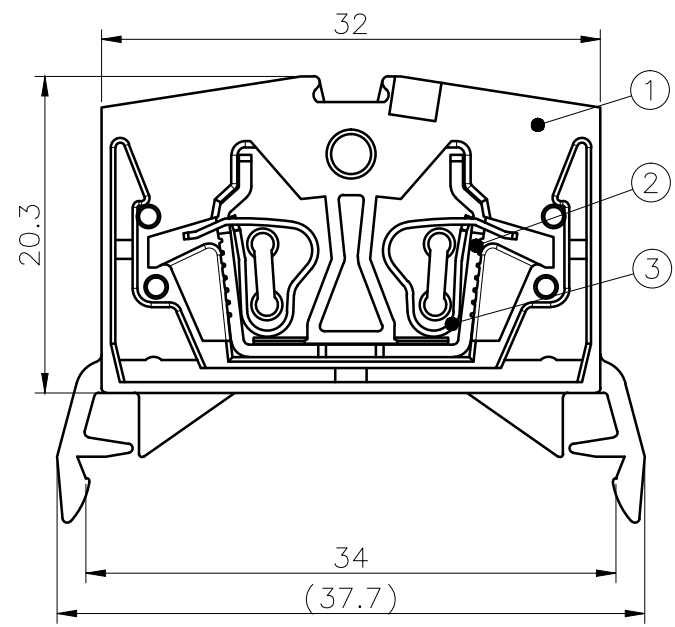
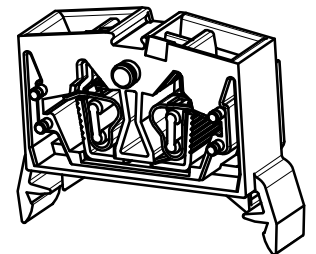
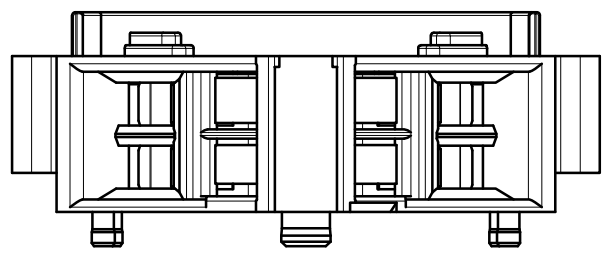
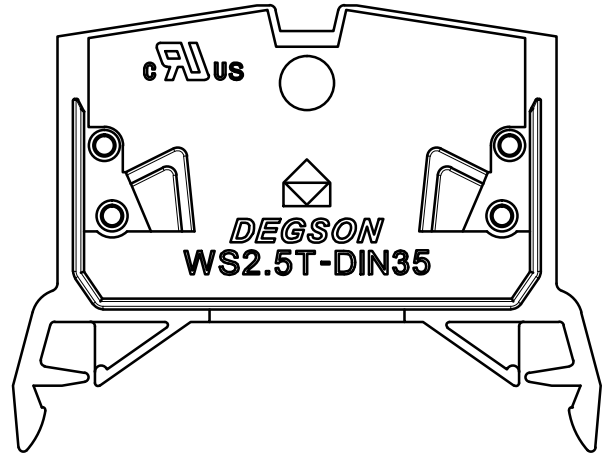


In view of our company's strict requirements on the accuracy of drawings, all drawings are prepared by professional designers. If there are any errors or omissions in the drawings, it is the responsibility of the user to check them. We do not accept any liability for errors or omissions in the drawings.



未注公差 General tolerances(mm)													0.1/0		
0	>3	>6	>10	>18	>30	>50	>80	>120	>180	>250	>315	>400	>500	0.1/0	
±0.12	±0.18	±0.22	±0.26	±0.31	±0.37	±0.45	±0.55	±0.65	±0.80	±1.00	±1.25	±1.60	±2.00	±2'	
UL 标准/UL Standard:											B	C	D		
额定电压/电流/Rated Voltage(V)/Current(A)											600/20	600/20	600/5		
IEC 标准/IEC Standard:															
过压类别/Overvoltage Category/污染等级/Pollution Degree											III/3	III/2	II/2		
额定电压/电流/Rated Voltage(V)/Current(A)											600/24	/	/		
额定冲击电压(KV)/Rate Impulse Voltage(KV)											8	/	/		
螺丝扭矩/Torque Tightening(N·m/Lb.in)															
线径范围(硬线和软线)/Wire Range(rigid and flexible)(AWG/mm²)											28~12 / 0.2~2.5				
间距/Pitch(mm)/线数范围/Poles											10/N=01P				
剥线长度/Stripping length(mm)											8~9				
使用温度范围/Operating temperature(°C)											-40~+105				
符合RoHS环保要求/Conform to RoHS											Yes				
标准颜色编号/Standard color number: PANTONE / RAL											/				



ITEM	NAME OF PART	MATERIAL	NOTES
3	Spring	Stainless steel	/
2	Current carrier	Copper	Sn Platde
1	Housing	PA66	UL94V-0

		MATERIAL: /		SURFACE/COLOR: /	
A*P: Li GL		2021.12.17		MAT NO./REV: /	
C*H: Ma EK		2021.12.14		MAT STA'JS: /	
D*FT: Ma EK		2021.12.14		NAME	
		WS2.5T-DIN35-01P-1Y-100A(H)			
		DRAWING NO. /		TYPE	
		/		CUSTOMER DRAWING	
		DRAWING STA'JS /		SCALE	
		/		2:1	
		/		SHEET	
		/		1/1	

REV	ECN	DESCRIPTION	DRFT	DATE
00	/	/	Ma EK	2021.12.14