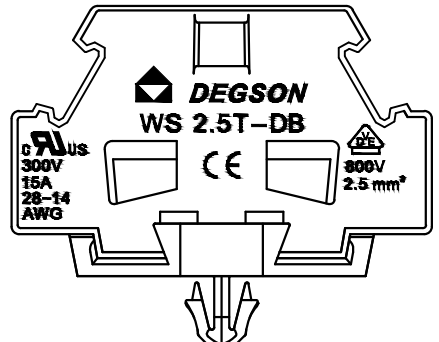
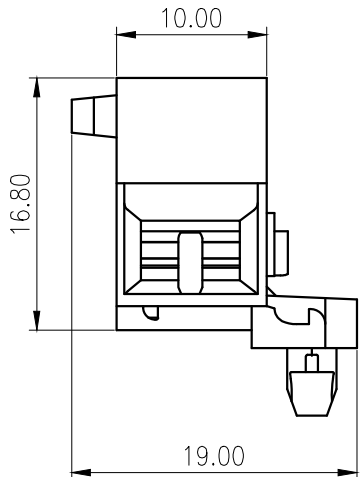
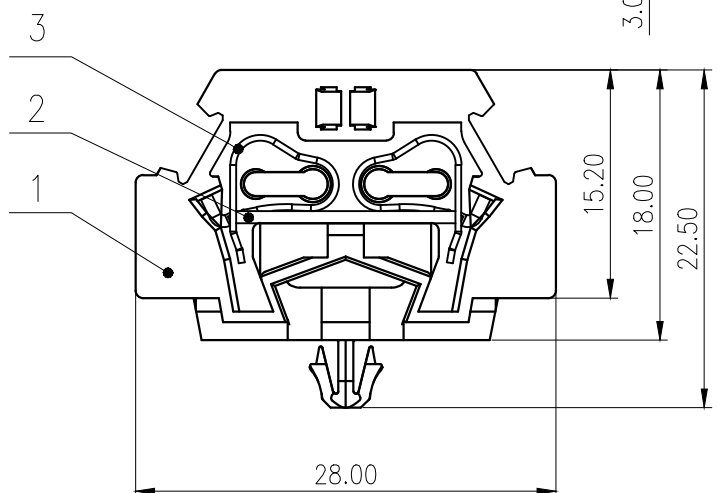
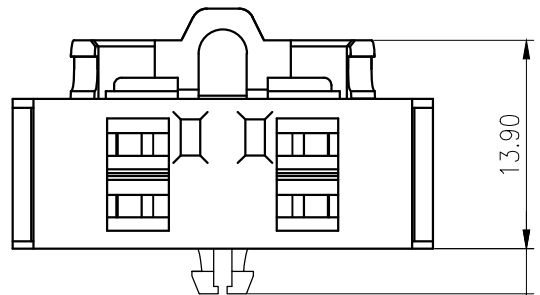


| 未注公差/General tolerances(mm) | | | | | | | | | | | | | 0.1/10 |
|-----------------------------|-------|-------|-------|-------|-------|-------|-------|-------|-------|-------|-------|-------|--------|
| 0 | >3 | >6 | >10 | >18 | >30 | >50 | >80 | >120 | >180 | >250 | >315 | >400 | |
| ~3 | ~6 | ~10 | ~18 | ~30 | ~50 | ~80 | ~120 | ~180 | ~250 | ~315 | ~400 | ~500 | >500 |
| ±0.12 | ±0.18 | ±0.22 | ±0.26 | ±0.31 | ±0.37 | ±0.57 | ±0.80 | ±0.93 | ±1.05 | ±1.15 | ±1.60 | ±2.20 | ±2.50 |



| 3 | Spring | Stainless Steel | / |
|--|-----------------|-----------------|---------------|
| 2 | Current carrier | Copper | Sn Plated |
| 1 | Housing | PA66 | UL94V-0 |
| ITEM | NAME OF PART | MATERIAL | NOTES |
| UL 标准/UL Standard: | | B | C |
| 额定电压/电流/Rated Voltage(V)/Current(A) | | 300/15 | 300/15 300/10 |
| EC 标准/IEC Standard: | | | |
| 过压类别/Overvoltage Category/污染等级/Pollution Degree | | III/3 | III/2 II/2 |
| 额定电压/电流/Rated Voltage(V)/Current(A) | | 800/24 | / / |
| 额定脉冲电压(KV)/Rate Impulse Voltage(KV) | | 8.0 | / / |
| 线径范围(硬线和软线)/Wire Range(rigid and flexible)(mm ² /AWG) | | 0.2~2.5/28~14 | |
| 间距/Pitch(mm)/线数范围/Poles | | 10.0/N=01P | |
| 剥线长度/Stripping length(mm) | | 8-9 | |
| 使用温度范围/Operating temperature(°C) | | -40~+105 | |
| 符合RoHS环保要求/Conform to RoHS | | Yes | |

| | | | |
|--------------|-----------------|---|----------------------|
| MATERIAL: | | SURFACE: | |
| MAT NO.: | / | 宁波高松电子有限公司 NINGBO DEGSON ELECTRICAL CO., LTD | |
| STATUS: | / | | |
| APPD: | LiGL 2020.07.06 | | |
| CHKD: | MaEK 2020.07.02 | NAME: | |
| DRFT: | YanH 2020.04.08 | WS2.5T-DB-01P-1Y-21A(H) | |
| DRAWING NO.: | | WS2.5T-DB-C36 | REV TO |
| TYPE: | | CUSTOMER DRAWING | SCALE: 2:1 SHEET 1/1 |

| REV | ECN | DESCRIPTION | DRFT | DATE |
|-----|-----|-------------|------|------|
| | | | | |