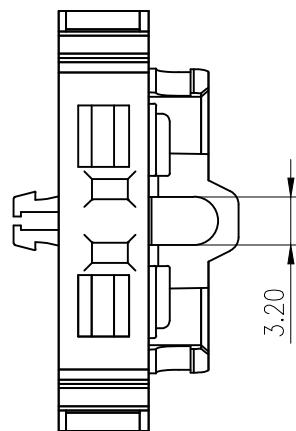
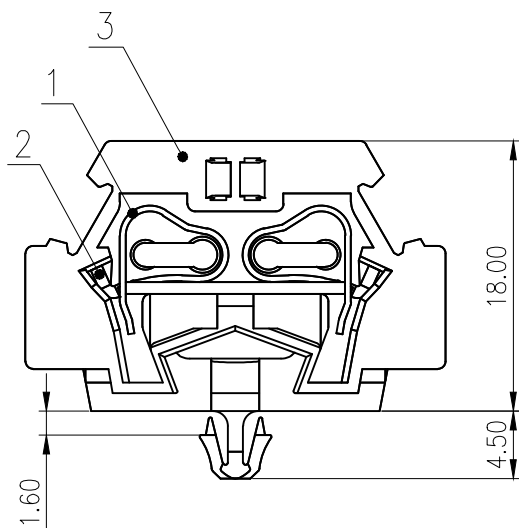


未注公差/General tolerances(mm)													0.1/10	
0 ~ 3	>3 ~ 6	>6 ~ 10	>10 ~ 18	>18 ~ 30	>30 ~ 50	>50 ~ 80	>80 ~ 120	>120 ~ 180	>180 ~ 250	>250 ~ 315	>315 ~ 400	>400 ~ 500		>500
±0.12	±0.18	±0.22	±0.26	±0.31	±0.37	±0.57	±0.80	±0.93	±1.05	±1.15	±1.60	±2.20	±2.50	±Z



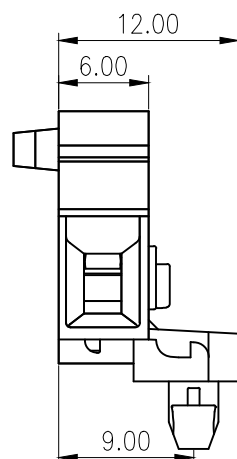
3.20



18.00

4.50

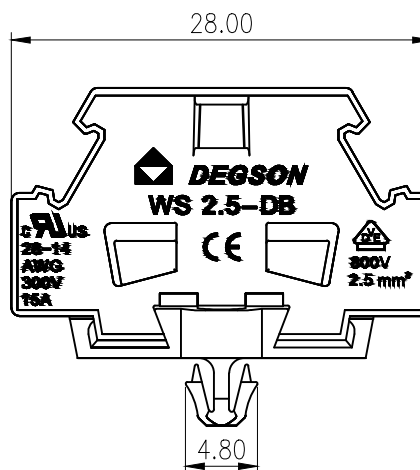
1.60



12.00

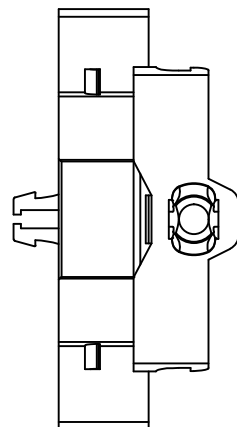
6.00

9.00



28.00

4.80



3	Housing	PA66	UL94V-0
2	Current Carrier	Copper	Sn plated
1	Shrapnel	Stainless steel	
ITEM	NAME OF PART	MATERIAL	NOTES
UL 标准/UL Standard:			
额定电压/电流/Rated Voltage(V)/Current(A)		B	C
		300/15	300/15
EC 标准/IEC Standard:			
过压类别/Overtoltage Category/污染等级/ Pollution Degree		III/3	/
额定电压/电流/Rated Voltage(V)/Current(A)		800/24	/
额定脉冲电压(KV)/Rate Impulse Voltage(KV)		8.0	/
线径范围(硬线和软线)/Wire Range(rigid and flexible)(mm ² /AWG)		0.2~2.5/28~14	
间距/Pitch(mm)		6.0	
剥线长度/Stripping length(mm)		8-9	
使用温度范围/Operating temperature(°C)		-40~+105	
符合RoHS环保要求/Conform to RoHS		Yes	
标准颜色编号/Standard color number: PANTONE / RAL		/	

MATERIAL: /	SURFACE: /		
MAT NO.: /	宁波高松电子有限公司 DEGSON ® NINGBO DEGSON ELECTRICAL CO., LTD		
STATUS: /			
APPD: Li GL 2020.06.06	NAME: WS2.5-DB-01P-1Y-21A(H)		
CHKD: Mao J 2020.06.06	DRAWING NO.: WS2.5-DB-C23		
DRFT: ding 2020.06.02	SCALE: 2:1		REV T1
⊕	SIZE: A4	TYPE: CUSTOMER DRAWING	SHEET 1/1

REV	ECN	DESCRIPTION	DRFT	DATE