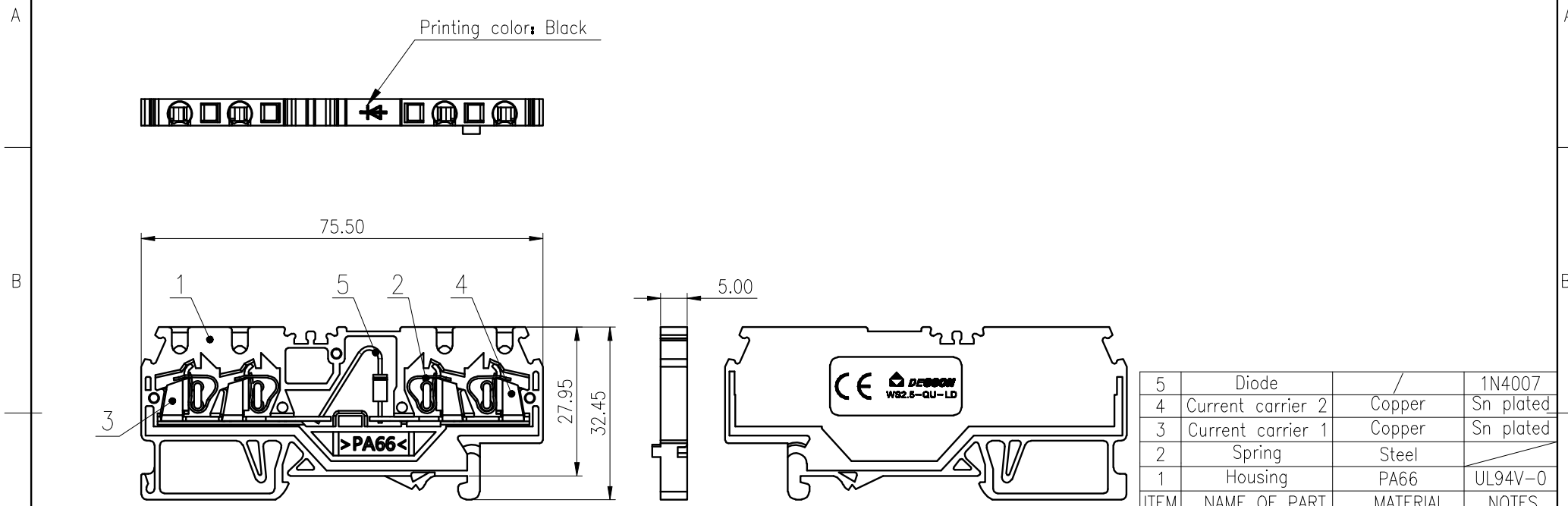


未注公差/General tolerances(mm)											0.1/10 EZ		
0	>3	>6	>10	>18	>30	>50	>80	>120	>180	>250		>315	>400
±0.12	±0.18	±0.22	±0.26	±0.31	±0.37	±0.57	±0.80	±0.93	±1.05	±1.15	±1.60	±2.20	±2.50



5	Diode	/	1N4007
4	Current carrier 2	Copper	Sn plated
3	Current carrier 1	Copper	Sn plated
2	Spring	Steel	
1	Housing	PA66	UL94V-0
ITEM	NAME OF PART	MATERIAL	NOTES

UL 标准/UL Standard:	B	C	D
额定电压/电流/Rated Voltage(V)/Current(A)	/	/	/
IEC 标准/IEC Standard:			
过压类别/Overvoltage Category/污染等级/Pollution Degree	III/2	/	/
额定电压/电流/Rated Voltage(V)/Current(A)	250/0.5	/	/
最大逆向电压(V)/Reverse Voltage(V)	1000	/	/
线径范围(硬线和软线)/Wire Range(rigid and flexible)(mm ² /AWG)	0.2~2.5/28~14		
间距/Pitch(mm)	5.00		
剥线长度/Stripping length(mm)	9		
使用温度范围/Operating temperature(°C)	-40~+105		
符合RoHS环保要求/Conform to RoHS	Yes		
标准颜色编号/Standard color number: PANTONE / RAL	/		

MATERIAL:	SURFACE:		
MAT NO.:	/		
STATUS:	/		
APPD: LiGL 2020.05.28	NAME:		
CHKD: MaoJ 2020.05.28	WS2.5-QU-LD-01P-1Y-100A(H)		
DRFT:ZhengQG 2020.05.28	DRAWING NO.: WS2.5-QU-LD-C01		REV D0-1
④	SIZE: A4	TYPE: CUSTOMER DRAWING	SCALE: 1:1 SHEET 1/1

REV	ECN	DESCRIPTION	DRFT	DATE

A
B
C
D