

REVISION RECORD

REV	ECN	DESCRIPTION	DRFT	DATE

NOTES1:

UL Standard

- 1.Rated voltage/current : 600V / 15A
- 2.Withstanding voltage : AC2200V/1Min.
- 3.Wire range : 28~14AWG

IEC Standard

1. Pollution degree	3
Overvoltage category	III
Rate impulse voltage(KV)	8KV
Rate voltage(V)	800V
Rate current(A)	24A

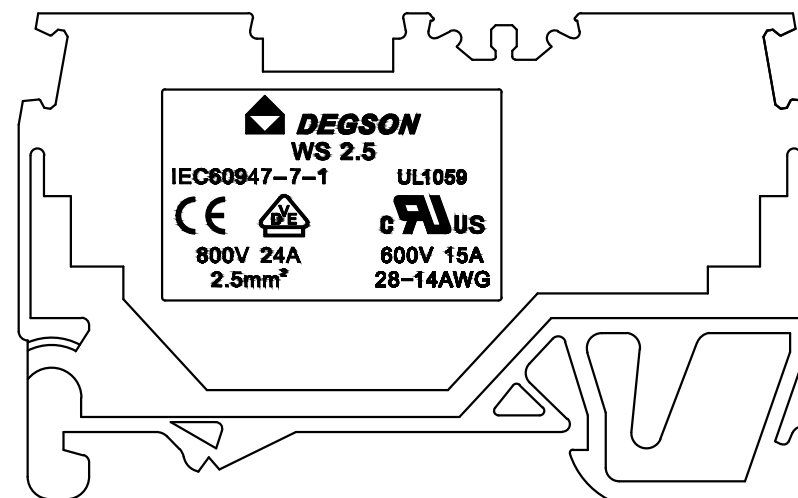
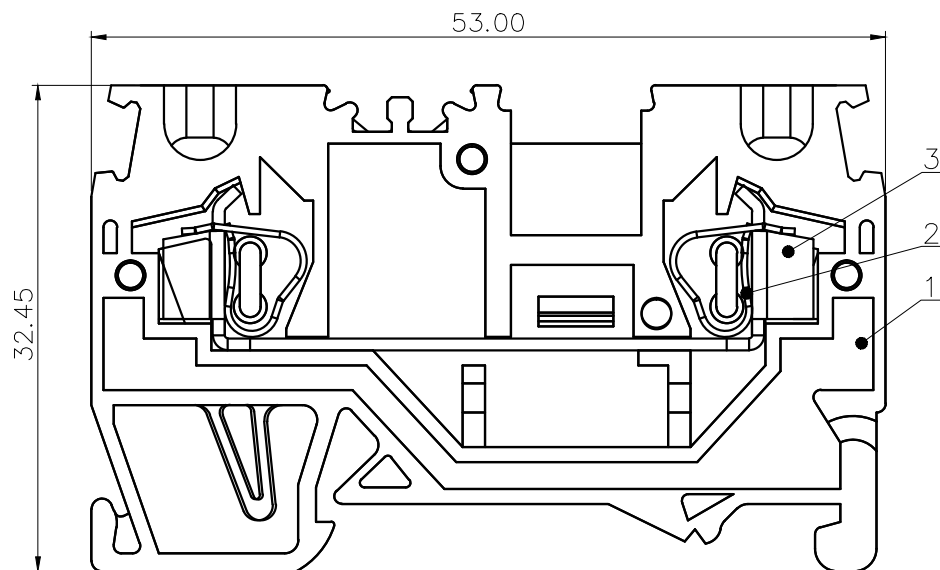
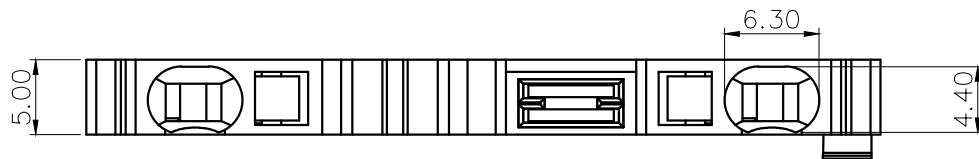
- 2.Wire range : 0.2~2.5mm²

NOTES2:

- 1.Pitch : 5.00mm, Poles : 01P
- 2.Stripping length : 8~9mm
- 3.Operating temperature: -40°C~+105°C
- 4.Undimensioned tolerances:

Pitch range in mm	Nominal dimension range in mm						- / 0 / +		
	Over 6 TO 10	Over 10 TO 24	Over 30 TO 30	Over 60 TO 60	Over 100 TO 100	Over 150 TO 150			
TO 6	±0.15	±0.20	±0.30	±0.30	±0.50	±0.70	±1.00	±1.30	±2'

- 5.RoHS Compliance



DEGSON
WS 2.5
 IEC60947-7-1 UL1059
 CE PE G RUS
 800V 24A 600V 15A
 2.5mm² 28-14AWG

ITEM	NAME OF PART	MATERIAL	NOTES
3	Current Carrier	Copper	Sn Plated
2	Spring	Stainless Steel	
1	Housing	PA66	UL94V-0

DETACHED LISTS	PART NO.:	/		
	APPD: Li GL 2020.05.30	NAME: DEGSON NINGBO DEGSON ELECTRICAL CO., LTD		
	CHKD: Mao J 2020.05.30	WS 2.5-01P-1Y-127A(H)		
	DRFT: ChenK 2020.05.30	TITLE: CUSTOMER DRAWING	REV	TO
DRAWING NO.: WS2.5-C21		SHEET	1/1	
DO NOT SCALE DRAWING		SCALE	1:1	

