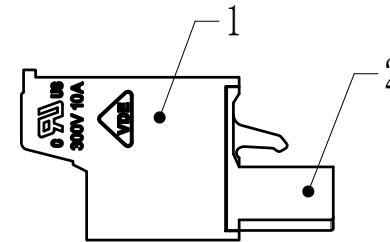
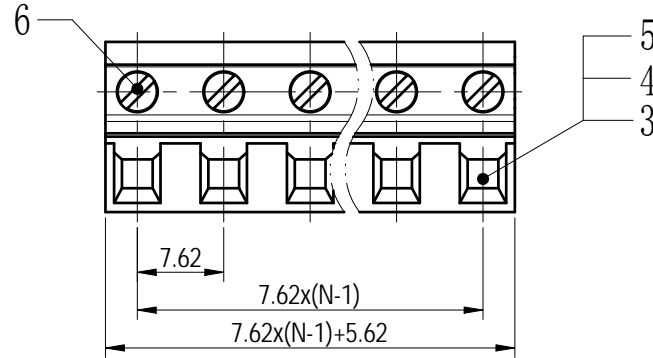
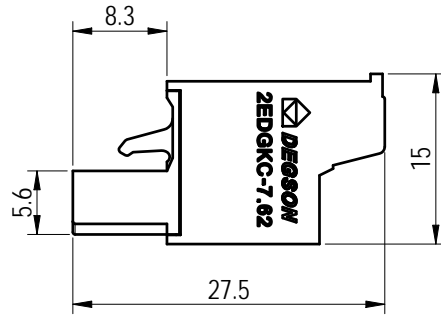
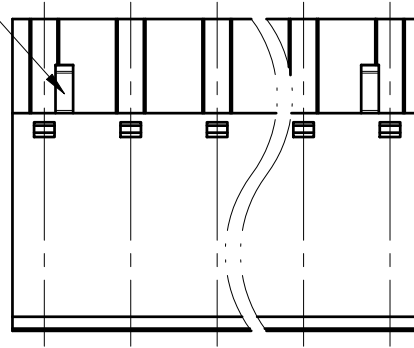
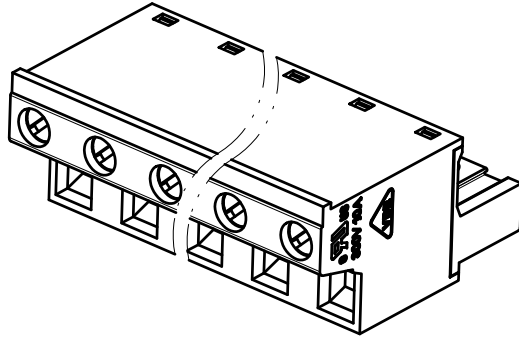


Transfer or duplication of this document as well as the utilization or communication of its content are prohibited unless authorized in writing by Degson. All rights reserved for patent. 未经授权复制或传播本文件及其内容，以及将本文件用于任何目的，均属非法行为。保留所有权利，未经许可，不得复制或传播本文件及其内容。

公差/General tolerances (mm)													
0	>3	>6	>10	>18	>30	>50	>80	>120	>180	>250	>315	>400	0.1/10 ±2'
~3	~6	~10	~18	~30	~50	~80	~120	~180	~250	~315	~400	>500	
±0.12	±0.18	±0.22	±0.26	±0.31	±0.37	±0.57	±0.80	±0.93	±1.05	±1.15	±1.60	±2.20	±2.50

额定电压/电涌/Rated Voltage(V)/Current(A)	300/15	150/15	300/10
IEC 标准/IEC Standard:			
过压类别/Overvoltage Category/污染等级/Pollution Degree	III/3	III/2	II/2
额定电压/电涌/Rated Voltage(V)/Current(A)	/	400/20	/
额定脉冲电压(KV)/Rate Impulse Voltage(KV)	/	4	/
螺丝扭矩/Torque Tightening(N·m/Lb.in)	M2.5: 0.5/4.43		
线径范围(硬线和软线)/Wire Range(rigid and flexible)(AWG/mm²)	28~12 / 0.2~2.5		
间距/Pitch(mm)/线数范围/Poles	7.62/N=02~12P		
剥线长度/Stripping length(mm)	9~10		
使用温度范围/Operating temperature(°C)	-40~+105		
符合RoHS环保要求/Conform to RoHS	Yes		

02P: Clasp on the left from this view



ITEM	NAME OF PART	MATERIAL	NOTES
6	Screw	Steel	M2.5/Zn Plated
5	Cage	Steel	M2.5/Zn Plated
4	Block	Steel	Zn Plated
3	Clamp	Copper alloy	Sn Plated
2	Cover	PA66	UL94V-0
1	Housing	PA66	UL94V-0

		MATERIAL:	SURFACE/COLOR:	
APPD: 兰春华	2023.03.31	MAT NO./REV: - / 00	MAT STATUS: 批量	
CHKD: 龚耀志	2023.03.31	NAME: 2EDGKC-7.62-XXP-1Y-00A&Z(H)		
DRFT: 朱岳鹏	2023.03.31	DRAWING NO. 200020316	TYPE: CUSTOMER DRAWING	DRAWING STATUS: 已发布
REV	ECN	DESCRIPTION	SCALE: 1.5:1	SHEET: 1/1

REV	ECN	DESCRIPTION	DRFT	DATE
00			朱岳鹏	2023.03.31