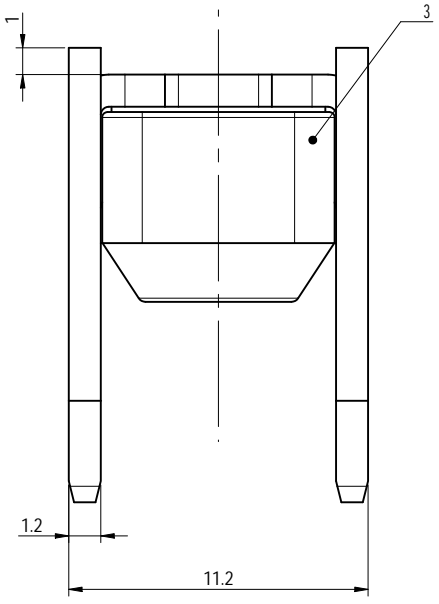
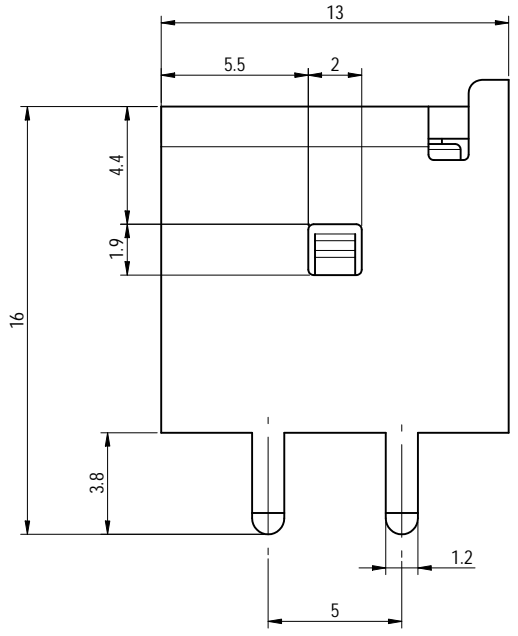
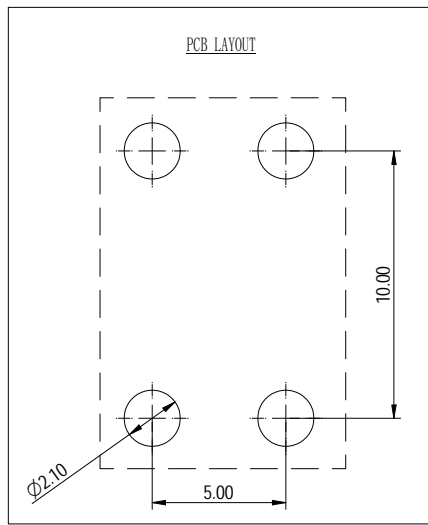
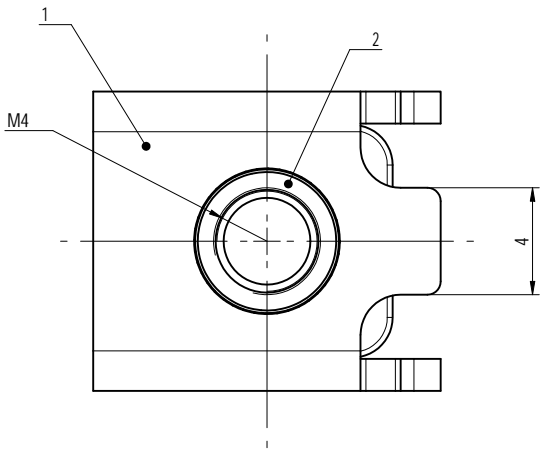


公差/General tolerances (mm)													D 0.1/10	
0	>3	>6	>10	>18	>30	>50	>80	>120	>180	>250	>315	>400		>500
~	~	~	~	~	~	~	~	~	~	~	~	~	~	~
±0.12	±0.18	±0.22	±0.26	±0.31	±0.37	±0.57	±0.80	±0.93	±1.05	±1.15	±1.60	±2.20	±2.50	±2



ITEM	NAME OF PART	MATERIAL	NOTES
3	Housing	PA66	UL94V-0
2	Nut	Steel	M4/Zn Plated
1	Pin header	Copper	Sn Plated

额定电流/Rated Current(A) : 0.1
 螺丝扭矩/Torque Tightening(N·m/Lb.in) : M4, 2.4/21.26
 符合RoHS环保要求/Conform to RoHS : Yes

	MATERIAL:	SURFACE/COLOR:
	MAT NO./REV: 10902000151-1 / 00	MAT STATUS: 批量

APPD: 蓝美凡	2022.12.07	NAME:	K50-12A (H)			
CHKD: 曹利彬	2022.12.05	DRAWING NO.:	200108460	TYPE:	CUSTOMER DRAWING	
DRFT: 姜民浩	2022.12.05	DRAWING STATUS:	已发布	SCALE:	1:1	
REV	ECN	DESCRIPTION	DRFT	DATE	SHEET	

00			姜民浩	2022.12.05	
REV	ECN	DESCRIPTION	DRFT	DATE	

Transfer or duplication of this document as well as the utilization of its contents without the written consent of the copyright holder is prohibited. All rights reserved for patent. 此文件的复制或再版以及其内容的使用，未经版权所有者书面许可，均被禁止。保留所有权利。保留所有权利。