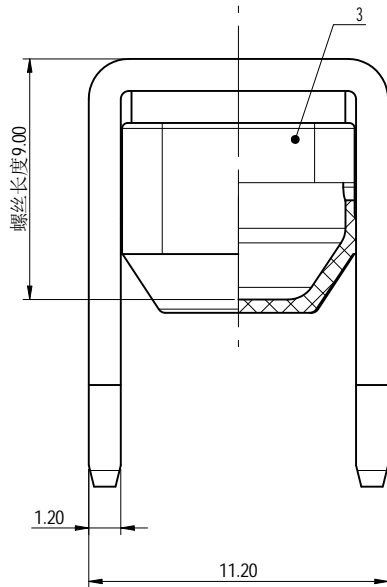
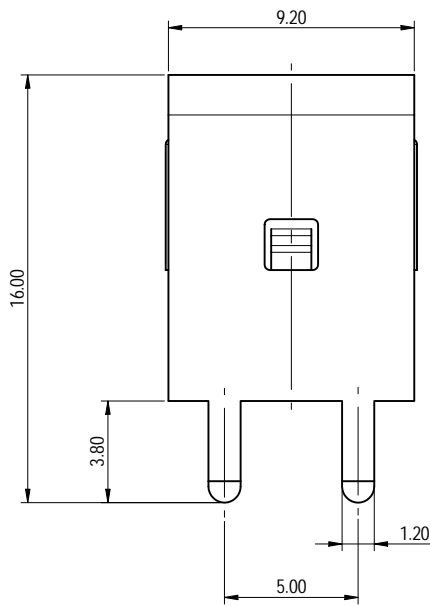
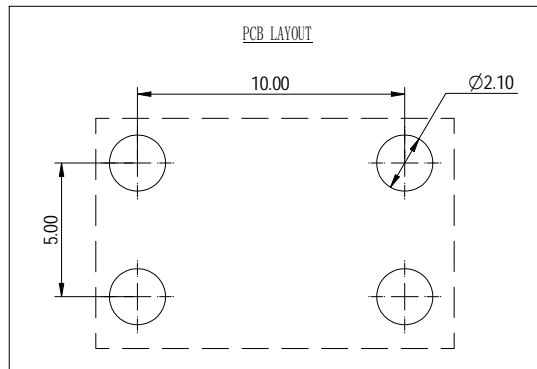
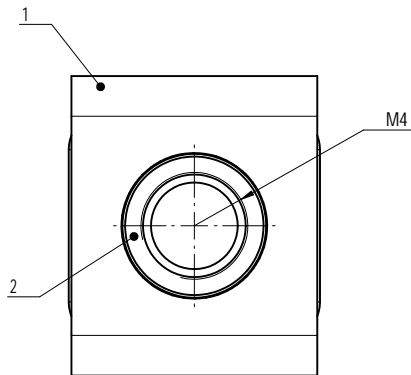


公差/General tolerances (mm)											D 0.1/10			
0	>3	>6	>10	>18	>30	>50	>80	>120	>180	>250		>315	>400	>500
~	~	~	~	~	~	~	~	~	~	~	~	~	~	~
±0.12	±0.18	±0.22	±0.26	±0.31	±0.37	±0.57	±0.80	±0.93	±1.05	±1.15	±1.60	±2.20	±2.50	±2



3	Housing	PA66	UL94V-0
2	Nut	Steel	Zn Plated
1	Pin header	Copper	Sn Plated
ITEM	NAME OF PART	MATERIAL	NOTES
额定电流/Rated Current(A)			50A
螺丝扭矩/Torque Tightening(N·m/Lb.in)			M4: 2.4/21.26
符合RoHS环保要求/Conform to RoHS			Yes

DEGSON		MATERIAL:	SURFACE/COLOR:	
APPD: 蓝美凡	2023.11.09	MAT NO./REV: 10900000312-1 / 00	MAT STATUS: 批量	
CHKD: 曹利影	2023.11.09	NAME: K91-12A (H)		
DRAFT: 姜民浩	2023.11.09	DRAWING NO. 200197062	TYPE: CUSTOMER DRAWING	DRAWING STATUS: 已发布
REV: 01	ECN:	DESCRIPTION:	DRFT: 姜民浩	DATE: 2023.11.09
A3		1/1 (Inch)		SCALE: 1:1
				SHEET: 1/1

01			姜民浩	2023.11.09					
REV	ECN	DESCRIPTION	DRFT	DATE	SCALE	STATUS	DATE	BY	CHKD

Transfer or duplication of this document as well as the utilization or reproduction of its contents without the written consent of Degson Technology Co., Ltd. is strictly prohibited. All rights reserved for patent. 未经授权复制或传播本文件及其内容，或未经 Degson Technology Co., Ltd. 书面同意擅自使用其内容，均属于侵权行为，公司将依法追究。