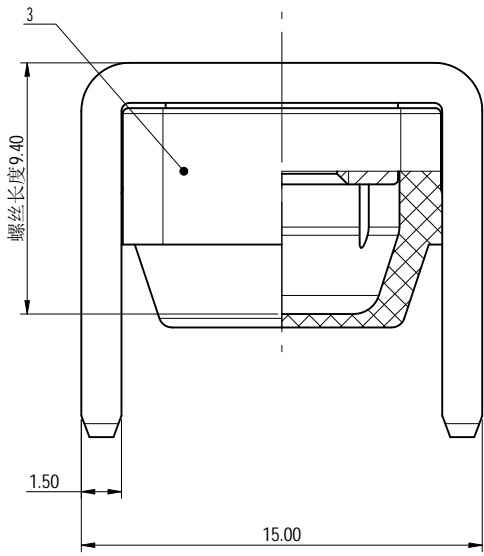
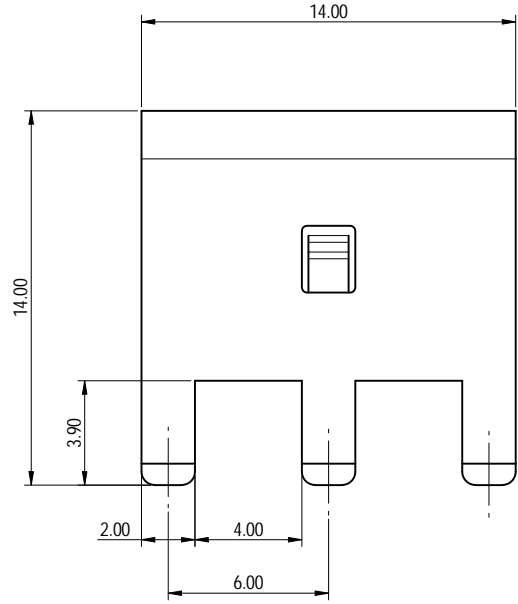
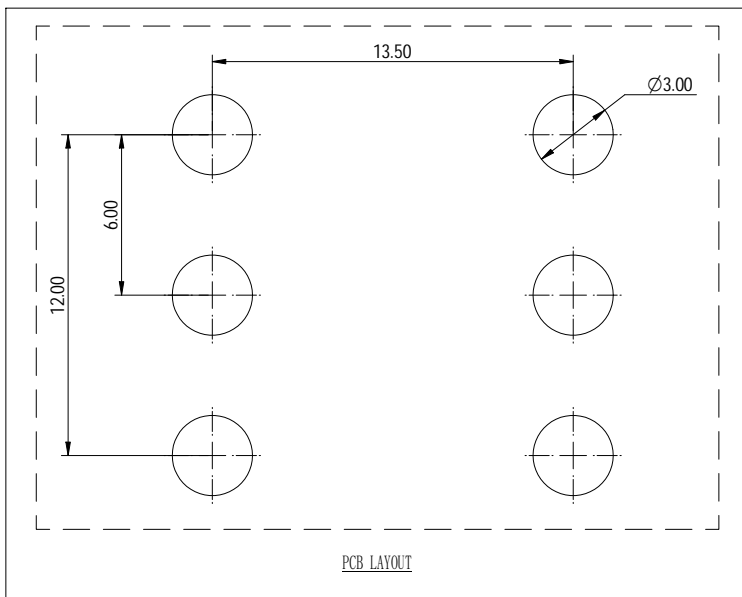
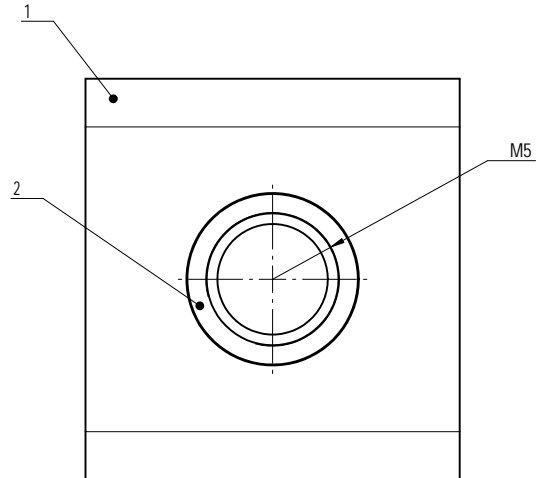


公差/General tolerances (mm)											D			
0	>3	>6	>10	>18	>30	>50	>80	>120	>180	>250		>315	>400	>500
~	~	~	~	~	~	~	~	~	~	~	~	~	~	~
±0.12	±0.18	±0.22	±0.26	±0.31	±0.37	±0.57	±0.80	±0.93	±1.05	±1.15	±1.60	±2.20	±2.50	±2



ITEM	NAME OF PART	MATERIAL	NOTES
3	Housing	LCP	UL94V-0
2	Nut	Steel	Zn Plated
1	Pin header	Copper alloy	Sn Plated
额定电流/Rated Current(A)			92A
螺丝扭矩/Torque Tightening(N·m/Lb.in)			M5: 4.0/35.44
符合RoHS环保要求/Conform to RoHS			Yes

**DEGSON** MATERIAL: SURFACE/COLOR: MAT NO./REV: 10900000311-1 / 00 MAT STATUS: 批量

APPD: 蓝美凡 2023.11.06 NAME: K51-12A (H)

CHKD: 曹利影 2023.11.06

DRFT: 姜民浩 2023.11.06

DRAWING NO. 200197059 TYPE CUSTOMER DRAWING DRAWING STATUS 已发布 SCALE 1:1 SHEET 1/1

REV	ECN	DESCRIPTION	DRFT	DATE
01		修改零件材料	姜民浩	2023.11.06

Transfer or duplication of this document as well as the utilization of its contents without the written consent of Degson Electronics Co., Ltd. is prohibited. All rights reserved for patent. 此文件的复制或再行发布以及其内容之利用，未经德森电子股份有限公司之书面同意，均属侵权行为。德森电子股份有限公司保留所有权利。