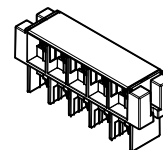
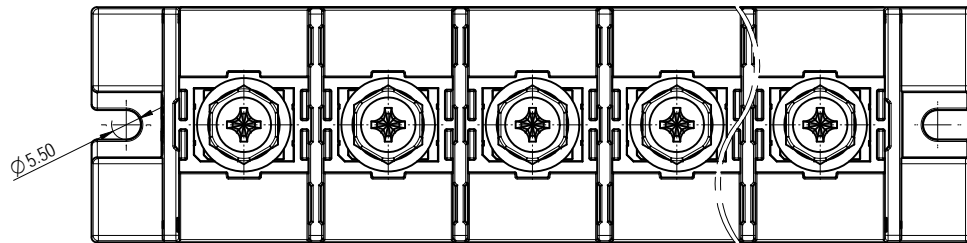
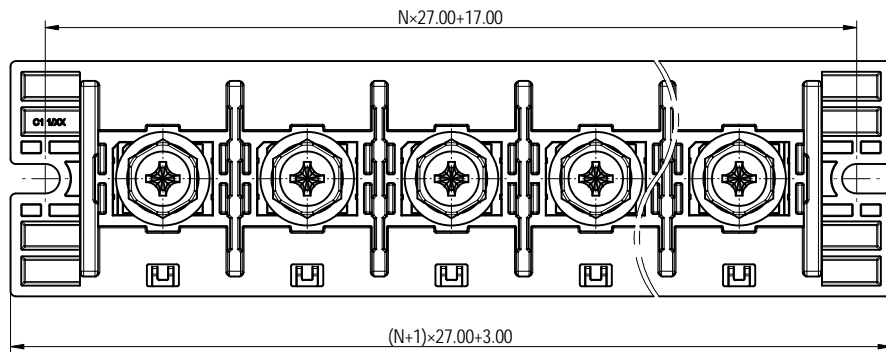
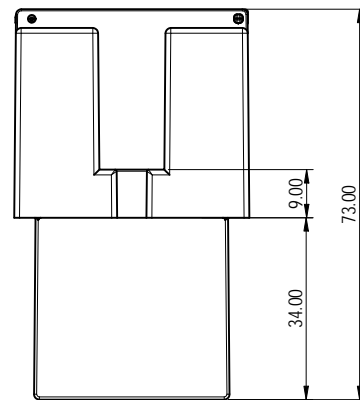
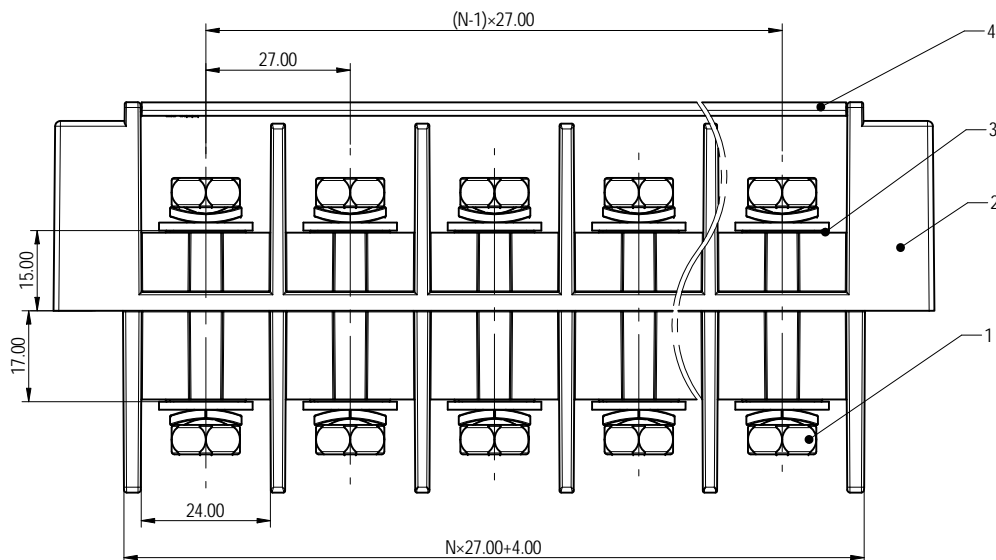
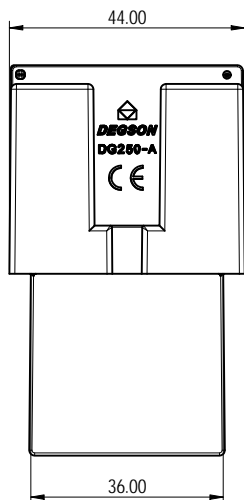


(W/O COVER VIEW)

未注公差/General tolerances (mm)													D	
0	>3	>6	>10	>18	>30	>50	>80	>120	>180	>250	>315	>400	0.1/10	
~	6	10	18	30	50	80	120	180	250	315	400	500	N	
±0.12	±0.18	±0.22	±0.26	±0.31	±0.37	±0.57	±0.80	±0.93	±1.05	±1.15	±1.60	±2.20	±2.50	±2



1: 5



ITEM	NAME OF PART	MATERIAL	NOTES
4	Cover	PC	UL94V-2
3	Cage	Copper	Ni Plated
2	Housing	PAG6+GF	UL94V-0
1	Screw	Steel	Zn Plated
ITEM NAME OF PART MATERIAL NOTES			
UL 标准/UL Standard:			E
额定电压/电压/Rated Voltage(V)/Current(A)			1000/250
螺丝扭矩/Torque Tightening(N·m/Lb.in)			M8: 6.0/53.12
线径范围(硬线和软线)/Wire Range (rigid and flexible)(AWG/mm²)			6~250kcmil
间距/Pitch(mm)/线数范围/Poles			27.00/N=02~05P
使用温度范围/Operating temperature(°C)			-40~+120
符合RoHS环保要求/Conform to RoHS			Yes

DEGSON MATERIAL: SURFACE/COLOR: /00 MAT STATUS: /

APPD: 蓝奕凡 2023.12.14 NAME: DG250-A-XXP-1Y-00Z(H)

CHKD: 曹利影 2023.12.14

DRFT: 孙科豪 2023.12.14

DRAWING NO. 200214488 TYPE CUSTOMER DRAWING DRAWING STATUS / SCALE 1:1 SHEET 1/1

REV	ECN	DESCRIPTION	DRFT	DATE
00				

Transfer or duplication of this document as well as the utilization or reproduction of its contents without the written consent of DEGSON is prohibited. All rights reserved for patent.
 本文件及其中所载之技术内容，其复制或再行传播，或未经许可而擅自使用，均属于侵权行为。所有权利保留，特此声明。