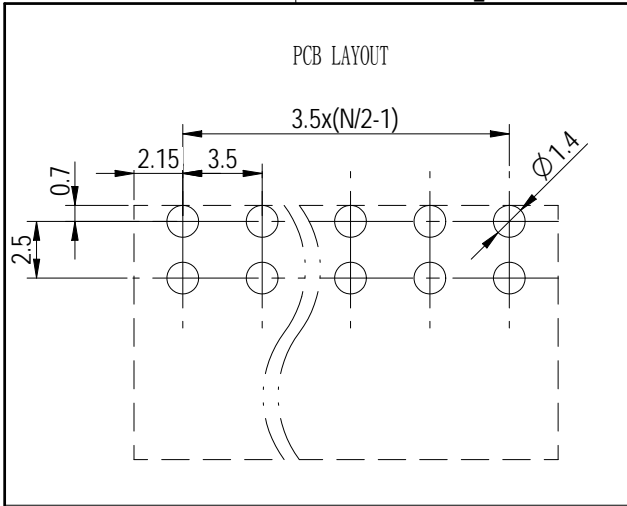
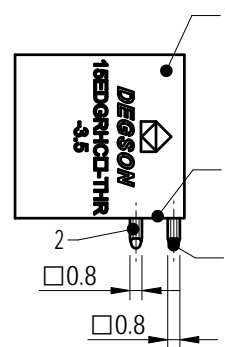
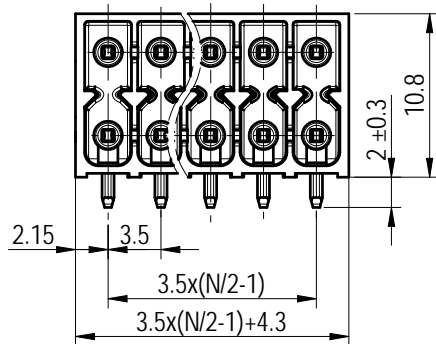
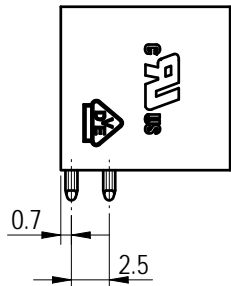
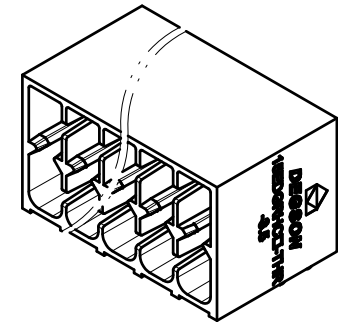
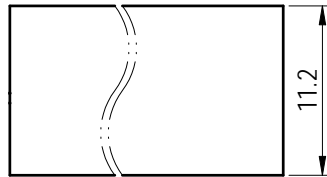


Transfer or duplication of this document as well as the utilization or communication of its content are prohibited unless authorized in writing. All rights reserved for patent, utility model or design registrations. 除专利、实用新型、外观设计、集成电路布图设计、软件著作权等知识产权外，本公司保留其他所有权利。



未注公差/General tolerances (mm)													0.1/10 ±2'	
0 ~ 3	>3 ~ 6	>6 ~ 10	>10 ~ 18	>18 ~ 30	>30 ~ 50	>50 ~ 80	>80 ~ 120	>120 ~ 180	>180 ~ 250	>250 ~ 315	>315 ~ 400	>400 ~ 500		>500
±0.12	±0.18	±0.22	±0.26	±0.31	±0.37	±0.57	±0.80	±0.93	±1.05	±1.15	±1.60	±2.20	±2.50	



ITEM	NAME OF PART	MATERIAL	NOTES
4	Plug	Thermoplastic	UL94V-0
3	Long Pin	Copper	Sn Plated
2	Short Pin	Copper	Sn Plated
1	Housing	Thermoplastic	UL94V-0

UL 标准/UL Standard:	B	C	D
额定电压/电流/Rated Voltage(V)/Current(A)	150/8	50/8	/
IEC 标准/IEC Standard:			
过压类别/Overvoltage Category/污染等级/Pollution Degree	III/3	III/2	II/2
额定电压/电流/Rated Voltage(V)/Current(A)	80/9.5	200/9.5	320/9.5
额定脉冲电压(KV)/Rate Impulse Voltage(KV)	2.5	2.5	2.5
间距/Pitch(mm)/线数范围/Poles	3.5/N=04~48P		
使用温度范围/Operating temperature(°C)	-30~+120		
符合RoHS环保要求/Conform to RoHS	Yes		

		MATERIAL:	SURFACE/COLOR:		
APPD: 兰春华 2023.03.22		MAT NO./REV: - / 00		MAT STATUS: 批量	
CHKD: 龚耀志 2023.03.22		NAME			
DRFT: 周锡锦 2023.03.22		15EDGRHC-THR-3.5-XXP-1Y-1000Z(H)-PA			
DRAWING NO.	TYPE	DRAWING STATUS	SCALE	SHEET	
200166450	CUSTOMER DRAWING	已发布	2:1	1/1	

REV	ECN	DESCRIPTION	DRFT	DATE
00			周锡锦	2023.03.22