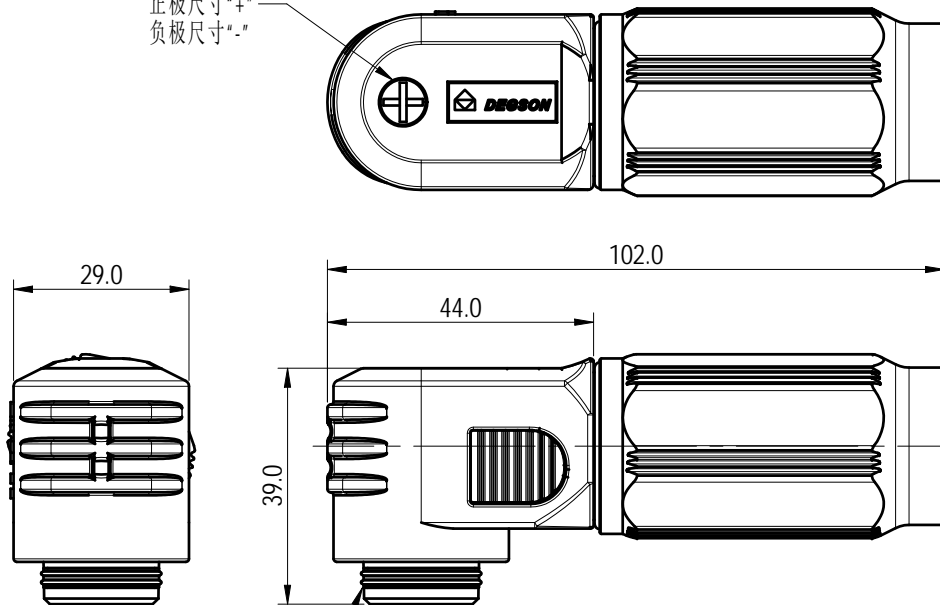


尺寸公差(mm)					0.05/10 ±1'
0	>30	>60	>100	>150	
~	~	~	~	~	
±0.20	±0.30	±0.50	±0.70	±1.00	

正极尺寸 "+"
负极尺寸 "-"



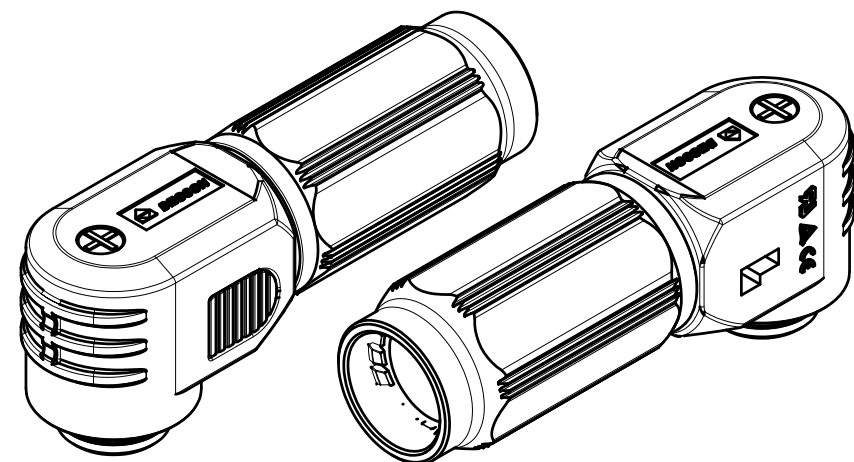
正极尺寸: $\varnothing 17.5\text{mm}$
负极尺寸: $\varnothing 18.5\text{mm}$

ESP-300A-95-XX-00-XX

Current: 01:300A
03:250A

Color: BK:Black 负极
OR:Orange 正极
RD:Red 正极

技术要求/Technical requirements:	
颜色/Color	Black, Orange, Red
锁紧方式/Locking method	卡扣(Buckle)
接线方式/Terminal	Crimp
外壳材料/Housing material	PA+GF
接触件材料/Connector material	铜合金(Copper alloy)
插入力/Insertion force	100N Max
拔出力/Withdrawal force	>10N
插拔次数/Mechanical working life(mating cycles)	100
接线规格/Wiring specifications	3/0AWG or 95mm ²
线径OD(Wire diameter)	16 [°] 18mm
建议剥线长度/Suggested stripping length	16 [°] 18mm
额定电压/Rated voltage	1500V DC
额定电流/Rated current	300A
绝缘电阻/Insulate resistance	$\geq 5000\text{M}\Omega$ (drying)
耐电压/Withstanding voltage	6800V/min
接触电阻/Contact resistance	$\leq 0.5\text{m}\Omega$
过电压等级/Overvoltage category	III
污染等级/Pollution degree	3
防护等级/Ingress protection	IP67 (Mated)
使用温度范围/Operating temperature(° C)	-40 [°] +125(including temperature rise)
盐雾/Salt spray	48H
储存温度/Storage temperature(° C)	-40 [°] +85
阻燃等级/Flame retardant ability	UL94-V0
符合RoHS环保要求/Conform to RoHS	Yes
UL4128认证/UL4128 certification	E526028
TUV认证/TUV certification	50581738



		MATERIAL:	SURFACE/COLOR:		
		MAT NO./REV:	MAT STATUS:		
APPD: 刘剑	2024.01.24	NAME			
CHKD: 于进海	2024.01.21	ESP-300A-95-XX-00-XX			
DRFT: 张晓瑶	2024.01.17	DRAWING NO.	TYPE	DRAWING STATUS	SCALE
		200268819	CUSTOMER DRAWING		2:1
				SHEET	1/1

REV	ECN	DESCRIPTION	DRFT	DATE
01				

Transfer or duplication of this document as well as the utilization or communication of its content are prohibited unless expressly permitted in writing by DEGSON. All rights reserved for patent. 除专利等权利外，其他权利均归 DEGSON 公司所有。未经许可，不得复制或传播。 未经授权，不得复制或传播。 未经授权，不得复制或传播。