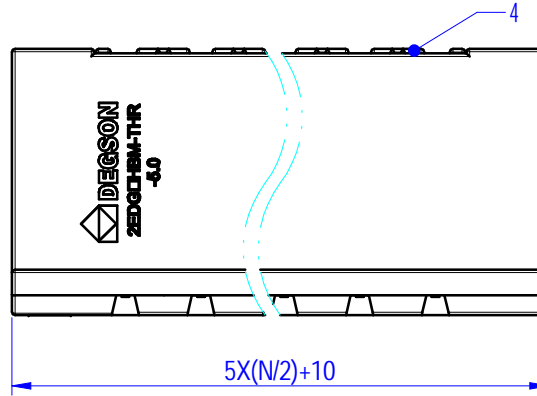
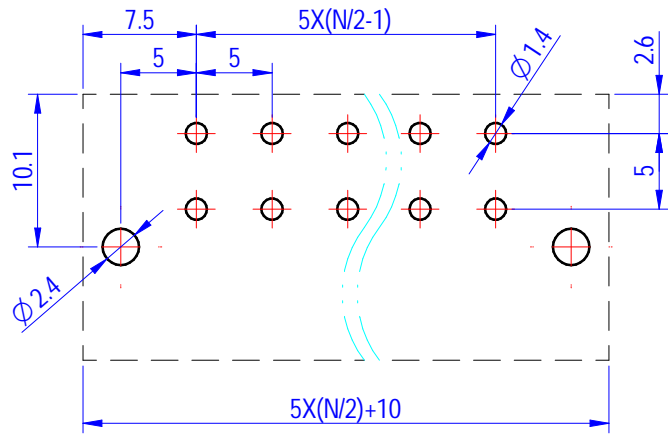
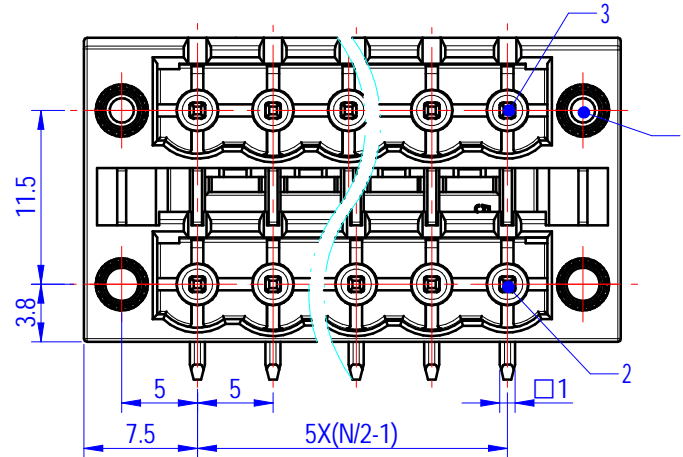
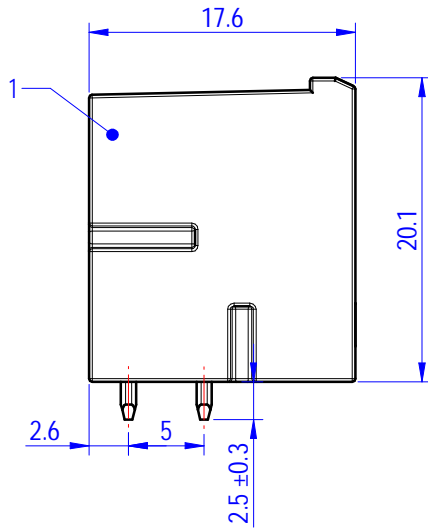
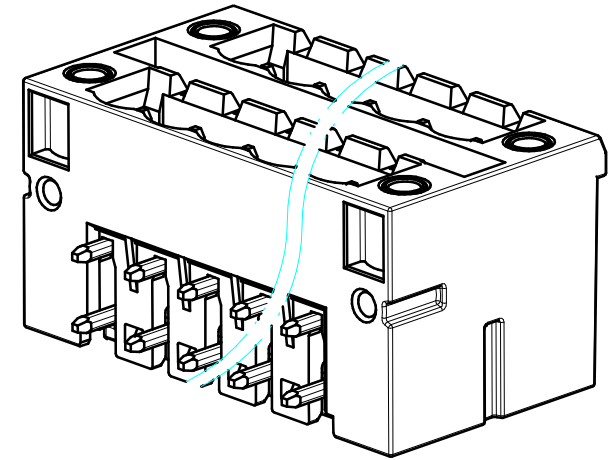


PCB LAYOUT



未注公差/General tolerances (mm)													0.1/10
0	>3	>6	>10	>18	>30	>50	>80	>120	>180	>250	>315	>400	
~3	~6	~10	~18	~30	~50	~80	~120	~180	~250	~315	~400	~500	±2'
±0.12	±0.18	±0.22	±0.26	±0.31	±0.37	±0.57	±0.80	±0.93	±1.05	±1.15	±1.60	±2.20	



ITEM	NAME OF PART	MATERIAL	NOTES
5	Nut	Copper Alloy	M2.5
4	Cover	Thermoplastic	UL94V-0
3	Pin2	Copper	Sn Plated
2	Pin1	Copper	Sn Plated
1	Housing	Thermoplastic	UL94V-0

UL 标准/UL Standard:				B	C	D
额定电压/电流/Rated Voltage(V)/Current(A)				300/15	/	300/10
IEC 标准/IEC Standard:						
过压类别/Overvoltage Category/污染等级/Pollution Degree				III/3	III/2	II/2
额定电压/电流/Rated Voltage(V)/Current(A)				250/12	320/12	630/12
额定脉冲电压(KV)/Rate Impulse Voltage(KV)				4	4	4
螺丝扭矩/Torque Tightening(N·m/Lb.in)				M2.5, 0.4/3.5		
间距/Pitch(mm)/线数范围/Poles				5.0/N=04~44P		
使用温度范围/Operating temperature(°C)				-40~+120		
符合RoHS环保要求/Conform to RoHS				Yes		

		MATERIAL:	SURFACE/COLOR: PANTONE 419C			
		MAT NO./REV:	MAT STATUS: 批量			
APPD: 兰春华	2024.01.10	NAME				
CHKD: 龚耀志	2024.01.10	2EDGRHBM-THR-5.0-XXP-1Y-00Z (H)				
DRFT: 方哲盛	2024.01.10	DRAWING NO.	TYPE	DRAWING STATUS	SCALE	SHEET
		200019946	CUSTOMER DRAWING	已发布	2:1	1/1

REV	ECN	DESCRIPTION	DRFT	DATE
00			方哲盛	2024.01.10

Transfer or duplication of this document as well as the utilization or communication of its contents are prohibited unless authorized in general. All rights reserved for patent. 除专利等明确标注外，其他标注均非专利。 未经授权，禁止复制或传播。 未经授权，禁止复制或传播。 未经授权，禁止复制或传播。