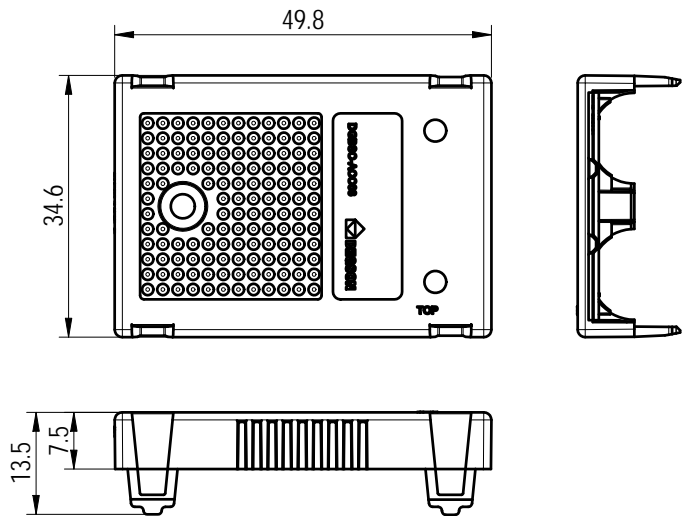
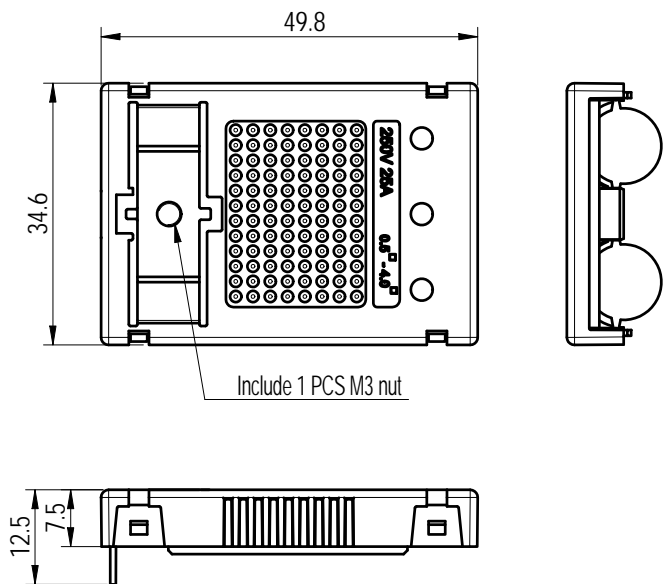


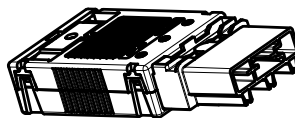
1、Top cover



2、Bottom cover

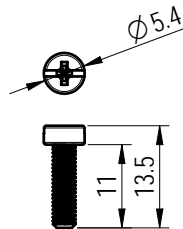


Assembly View

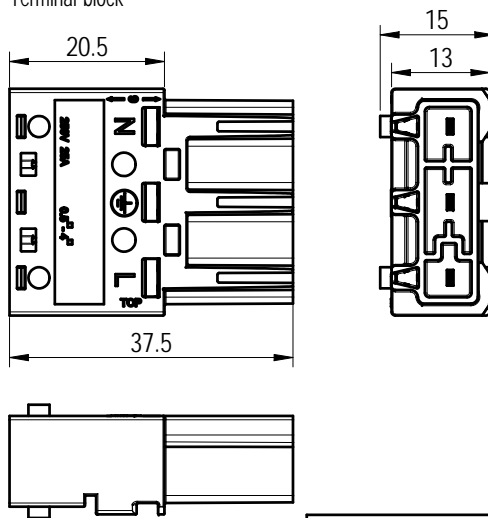


Scale 1:2

3、Screw

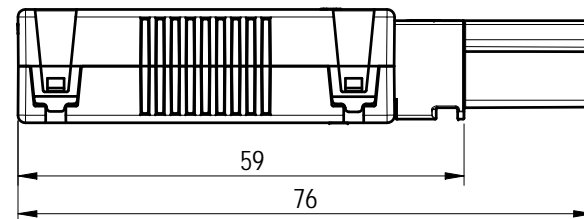
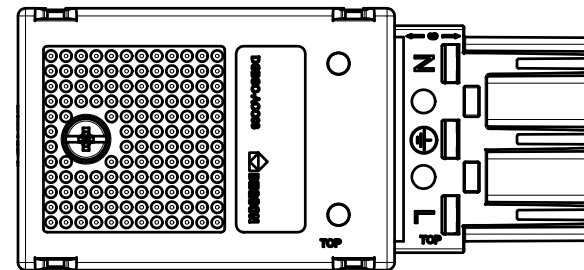


4、Terminal block



未注公差/General tolerances (mm)

0 ~ 3	>3 ~ 6	>6 ~ 10	>10 ~ 18	>18 ~ 30	>30 ~ 50	>50 ~ 80	>80 ~ 120	>120 ~ 180	>180 ~ 250	>250 ~ 315	>315 ~ 400	>400 ~ 500	>500	0.1/10
±0.12	±0.18	±0.22	±0.26	±0.31	±0.37	±0.57	±0.80	±0.93	±1.05	±1.15	±1.60	±2.20	±2.50	±2'



4	Terminal block	/	/
3	Screw	Steel	Zn plated
2	Bottom cover	PA66	UL94V-0
1	Top cover	PA66	UL94V-0
ITEM	NAME OF PART	MATERIAL	NOTES

UL 标准/UL Standard:	
额定电压/电流/Rated Voltage(V)/Current(A)	600/23
IEC 标准/IEC Standard:	
过压类别/Overvoltage Category/污染等级/Pollution Degree	III/3
额定电压/电流/Rated Voltage(V)/Current(A)	250/25
额定脉冲电压(KV)/Rate Impulse Voltage(KV)	4
线径范围(硬线和软线)/Wire Range(rigid and flexible)(AWG/mm²)	20~12 / 0.5~4
螺丝扭矩/Tightening torque(N·m/Lb.in)	M3, 0.8/7.02
间距/Pitch(mm)/线数范围/Poles	10.0/N=03P
剥线长度/Stripping length(mm)	9~10
使用温度范围/Operating temperature(°C)	-40~+105
符合RoHS环保要求/Conform to RoHS	Yes

		MATERIAL: /	SURFACE/COLOR: /		
APPD: 蓝贵凡 2024.01.05		MAT NO./REV: - / 00	MAT STATUS: 小批量		
CHKD: 曹利彬 2024.01.05		NAME			
DRFT: 曹利彬 2024.01.05		DGBSC-PG03F/4-PB-03P-1Y-00Z (H)			
DRAWING NO. 200265444		TYPE CUSTOMER DRAWING	DRAWING STATUS 已发布	SCALE 1: 1	SHEET 1/1

00	/	曹利彬	2024.01.05
REV	ECN	DESCRIPTION	DRFT DATE

Transfer or duplication of this document as well as the utilization or communication of its contents are prohibited unless authorized in advance. Violations will be held responsible. All rights reserved for patent, utility model or design registrations. 除专利、实用新型、外观设计、商标、印刷、软件著作权等注册外，未经许可，不得复制或传播本文件内容。如有侵权，本公司保留追究法律责任的权利。