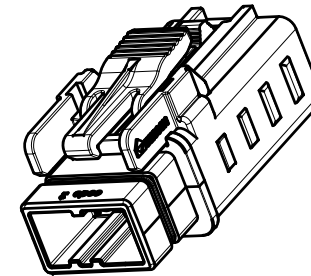
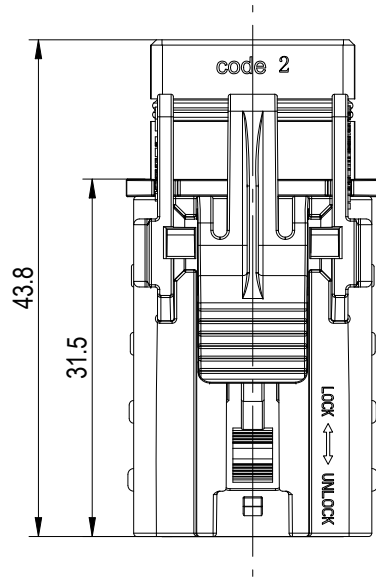
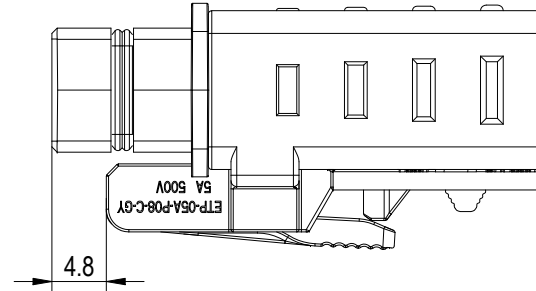
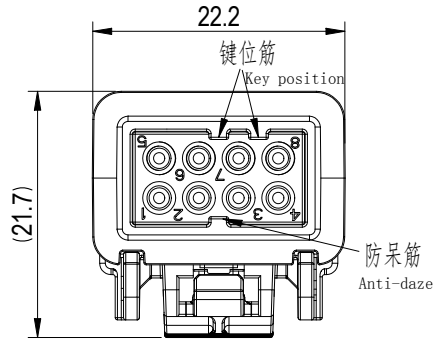


Dimensional tolerances(mm)					Length tolerances(mm)				0.1/10 ±2°
0 ~ 30	>30 ~ 60	>60 ~ 100	>100 ~ 150	>150	0 ~ 5000	>5000 ~ 10000	>10000 ~ 30000	>30000	
±0.25	±0.35	±0.55	±0.80	±1.10	±55	±105	±205	±505	

额定电压/Rated Voltage	Current	DC300V/5A
额定绝缘电压/Rated insulation Voltage		500V
额定脉冲电压/Rated impulse Voltage(V)		2.5KV
绝缘电阻/Insulation Resistance		≥200MΩ
插拔次数/Mechanical working life(mating cycles)		≥100
使用温度范围/Operating temperature(°C)		-40~+105
防水等级/Levels of protection		IP67(Mated)
接线方式/Terminal		Crimp
线径范围/Wire range(AWG/mm²)		22-18(0.3-0.8)
线缆直径/Cable diameter(mm)		1.3-2.8
符合RoHS环保要求/Conform to RoHS		Yes



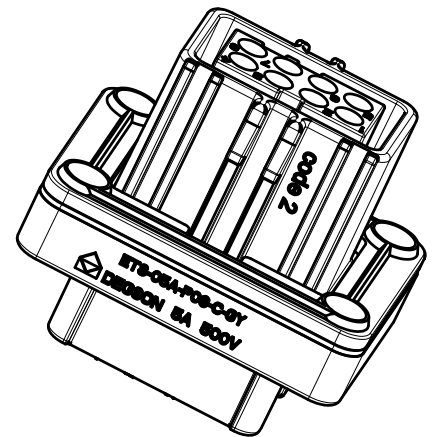
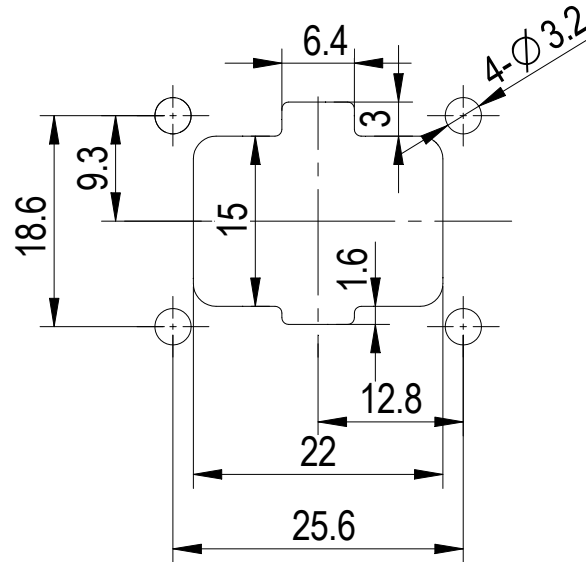
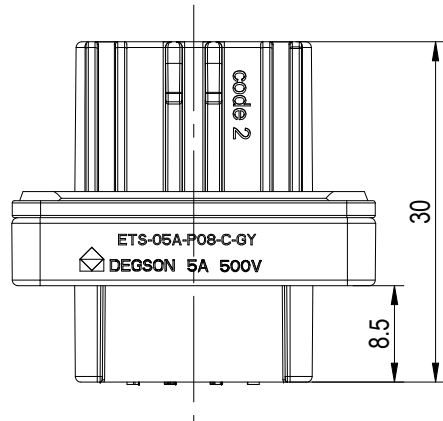
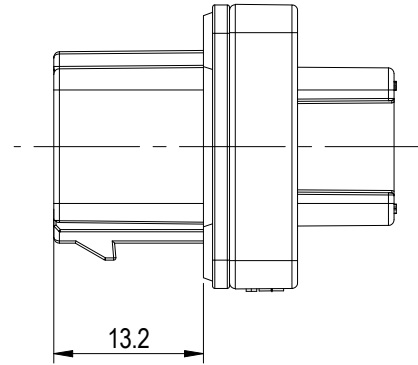
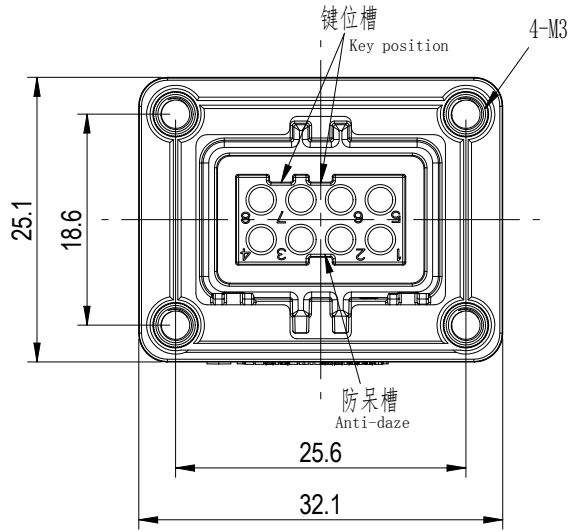
Optional:
Pin insertion: 5A-TM (following pages)
Stopper: ETP-DT (following pages)

		MATERIAL: 材质	SURFACE/COLOR: 表面处理	
		MAT NO./REV: 28040000236 / 版本	MAT STATUS: 物料状态	
APPD: Liu J	2024-04-28	NAME		
CHKD: Zhai P	2024-04-28	ETP-05A-P08-C-GY-02		
DRFT: Yu KW	2024-04-28	DRAWING NO.	TYPE	DRAWING STATUS
		图号	图纸类型	图状态
		SCALE	SHEET	
		1.5:1	1/1	

图纸版本	ECN	变更描述	设计人	设计日期
REV	ECN	DESCRIPTION	DRFT	DATE

Transfer or duplication of this document as well as the utilization or communication of its contents are prohibited unless authorized in writing by Degson. All rights reserved for patent. 未经授权，禁止复制或传播本文件内容。保留所有权利。Degson 保留所有权利。未经授权，禁止复制或传播本文件内容。保留所有权利。Degson 保留所有权利。

Transfer or duplication of this document as well as the utilization or communication of its contents are prohibited unless authorized in printed. All rights reserved for patent. 除专利号明确标注外，其他内容均受法律保护。未经许可，不得复制或传播。本公司保留对涉及发明、实用新型及外观设计的所有权利。



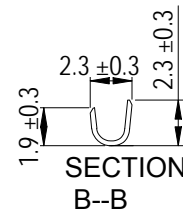
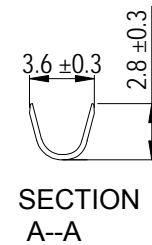
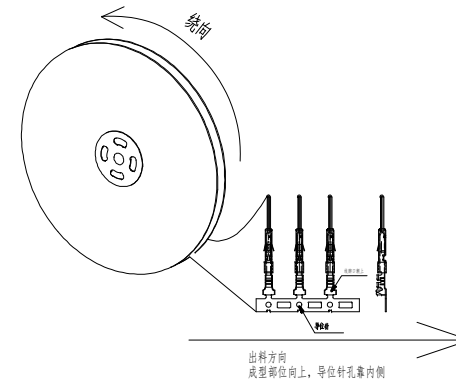
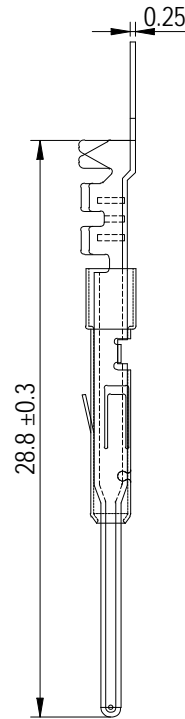
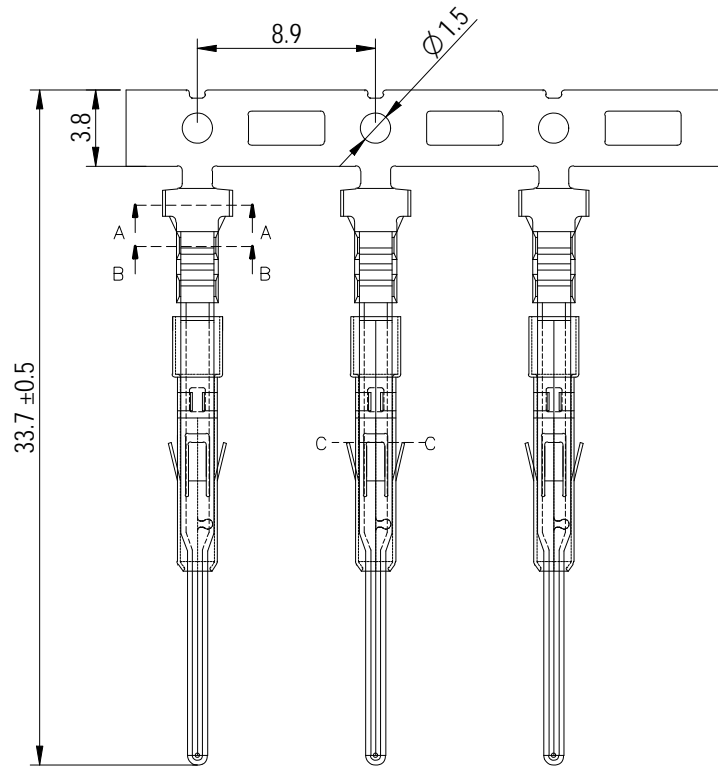
Dimensional tolerances(mm)					Length tolerances(mm)				0.1/10 ±2°
0 ~ 30	>30 ~ 60	>60 ~ 100	>100 ~ 150	>150	0 ~ 5000	>5000 ~ 10000	>10000 ~ 30000	>30000	
±0.25	±0.35	±0.55	±0.80	±1.10	±55	±105	±205	±505	
额定电压/Rated Voltage/Current								DC300V/5A	
额定绝缘电压/Rated insulation Voltage								500V	
额定脉冲电压/Rated impulse Voltage(V)								2.5KV	
绝缘电阻/Insulation Resistance								≥200MΩ	
插拔次数/Mechanical working life(mating cycles)								≥100	
使用温度范围/Operating temperature(°C)								-40~+105	
防水等级/Levels of protection								IP67(Mated)	
接线方式/Terminal								Crimp	
线径范围/Wire range(AWG/mm²)								22-18(0.3-0.8)	
线缆直径/Cable diameter(mm)								1.3-2.8	
符合RoHS环保要求/Conform to RoHS								Yes	

Optional:
Pin insertion: 5A-TF (following pages)

图纸版本	ECN	变更描述	设计人	设计日期
REV	ECN	DESCRIPTION	DRFT	DATE

		MATERIAL: 材质	SURFACE/COLOR: 表面处理	
APPD: Liu J 2024-04-28		MAT NO./REV: 28040000238 / 版本	MAT STATUS: 物料状态	
CHKD: Zhai P 2024-04-28		NAME		
DRFT: Yu KW 2024-04-28		ETS-05A-P08-C-GY-02		
DRAWING NO.	TYPE	DRAWING STATUS	SCALE	SHEET
图号	图纸类型	图纸状态	1.5:1	1/1

Dimensional tolerances(mm)				Length tolerances(mm)				0.1/10 ±2°
0	>30	>60	>100	0	>5000	>10000	>30000	
-	-	-	-	-	-	-	-	
±0.25	±0.35	±0.55	±0.80	±1.10	±55	±105	±205	±505



SECTION C-C

Crimp contacts

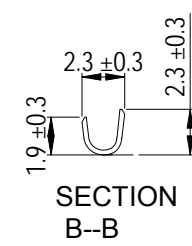
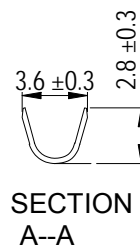
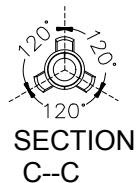
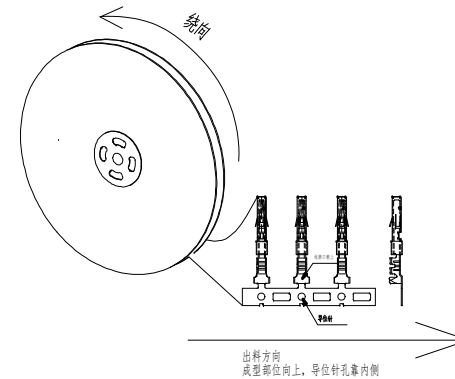
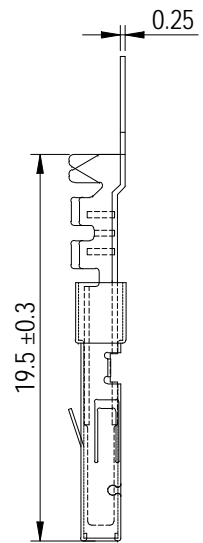
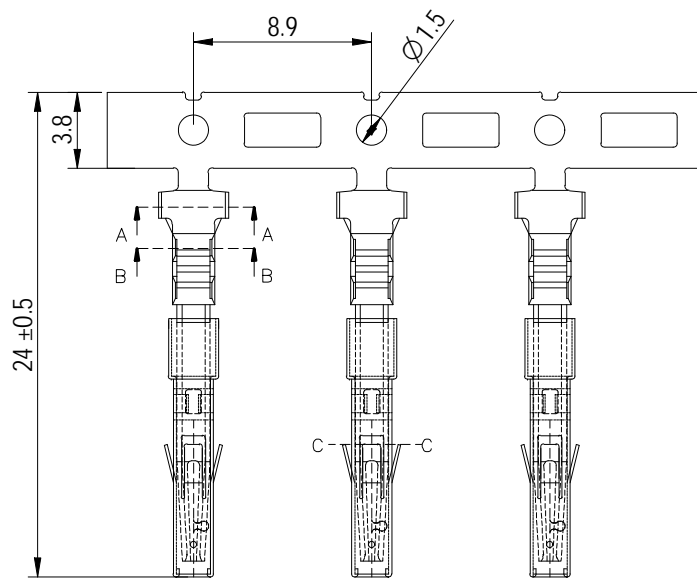
- 01.Material :Copper alloy
- 02.Surface :Tin-plated
- 03.Contact resistance :≤5mΩ
- 04.Terminal :Crimping
- 05.Wire gauge :0.3~0.8mm(AWG 22~18)
- 06.Rohs Compliance

		MATERIAL: C5191-H+SUS301	SURFACE/COLOR: 镀锡		
		MAT NO./REV: 2803000027 / 版本	MAT STATUS: 物料状态		
APPD: Liu J	2024-04-28	NAME			
CHKD: Zhai P	2024-04-28	5A-TM (STAMPING)			
DRFT: Yu KW	2024-04-28				
DRAWING NO.	TYPE	DRAWING STATUS	SCALE	SHEET	
图号	图纸类型	图纸状态	3:1	1/1	

图纸版本	ECN	变更描述	设计人	设计日期
REV	ECN	DESCRIPTION	DRFT	DATE

Transfer or duplication of this document as well as the utilization or communication of its contents are prohibited unless authorized in writing. All rights reserved for patent. 除专利号明确标注外, 其他内容均受法律保护。未经授权, 不得复制或传播。本公司保留对涉及发明、实用新型和外观设计的所有权利。

Dimensional tolerances(mm)					Length tolerances(mm)				0.1/10 ±2°
0	>30	>60	>100	>150	0	>5000	>10000	>30000	
-	-	-	-	-	-	-	-	-	
±0.25	±0.35	±0.55	±0.80	±1.10	±55	±105	±205	±505	



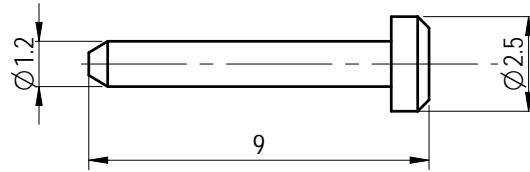
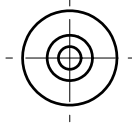
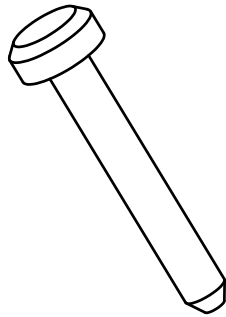
- Crimp contacts
- 01.Material :Copper alloy
- 02.Surface :Tin-plated
- 03.Contact resistance :≤5mΩ
- 04.Terminal :Crimping
- 05.Wire gauge :0.3~0.8mm(AWG 22~18)
- 06.Rohs Compliance

		MATERIAL: C5191-H+SUS301	SURFACE/COLOR: 镀雾锡		
APPD: Liu J	2024-04-28	NAME	5A-TF (STAMPING)		
CHKD: Zhai P	2024-04-28	MAT NO./REV: 28030000026 / 版本	MAT STATUS: 物料状态		
DRFT: Yu KW	2024-04-28	DRAWING NO.	TYPE	DRAWING STATUS	SCALE
		图号	图纸类型	图纸状态	SCALE 3:1
					SHEET 1/1

图纸版本	ECN	变更描述	设计人	设计日期
REV	ECN	DESCRIPTION	DRFT	DATE

Transfer or duplication of this document as well as the utilization or communication of its contents are prohibited unless authorized in writing by Degson. All rights reserved for patent. 除专利等明确标注外, 未经许可, 不得复制或传播。 凡在本文件内容中涉及之技术, 均受 Degson 公司专利保护。 未经授权, 不得复制或传播。 凡在本文件内容中涉及之技术, 均受 Degson 公司专利保护。 未经授权, 不得复制或传播。

Dimensional tolerances(mm)					Length tolerances(mm)				0.1/10 ±2°
0	>30	>60	>100	>150	0	>5000	>10000	>30000	
-	-	-	-	-	-	-	-	-	
30	60	100	150		5000	10000	30000		
±0.25	±0.35	±0.55	±0.80	±1.10	±55	±105	±205	±505	



Notes

- 01.Material : PC+20%GF
- 02.Color : Greyish-white
- 03.Rohs Compliance

		MATERIAL: /	SURFACE/COLOR: 镀雾锡		
APPD: Liu J	2024-04-28	MAT NO./REV: 28040000272 / 版本	MAT STATUS: 物料状态		
CHKD: Zhai P	2024-04-28	NAME: ETP-DT			
DRFT: Yu KW	2024-04-28	DRAWING NO.	TYPE	DRAWING STATUS	SCALE
A4		图号	图纸类型	图纸状态	SHEET
					3:1 1/1

图纸版本	ECN	变更描述	设计人	设计日期
REV	ECN	DESCRIPTION	DRFT	DATE

Transfer or duplication of this document or communication of its contents are prohibited unless authorized in writing. All rights reserved for patent, utility model or design registrations. 除专利权明确授权，否则禁止转让、复制、引用、交流本文件的内容。未经书面授权，任何复制或内嵌字体的行为均被禁止。