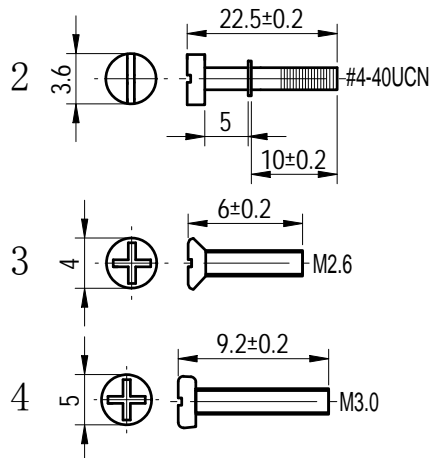
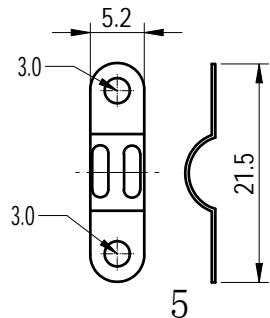
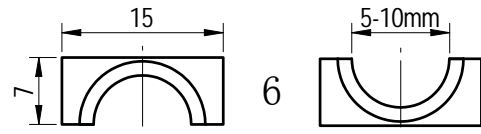
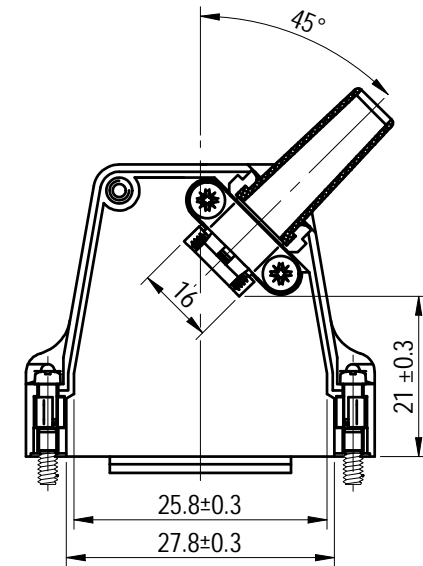
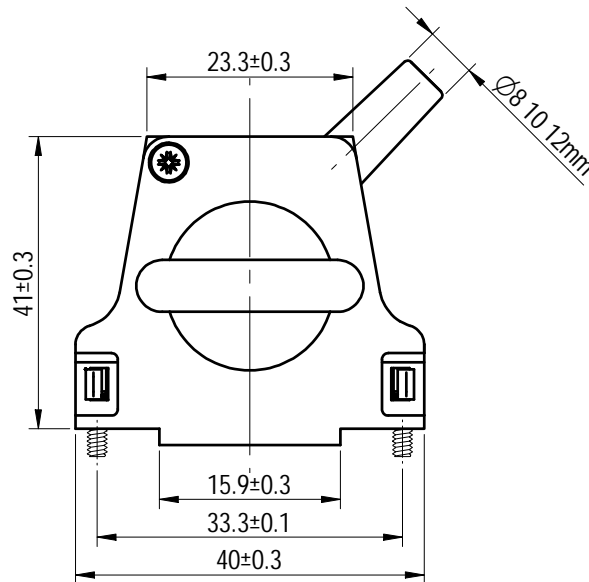
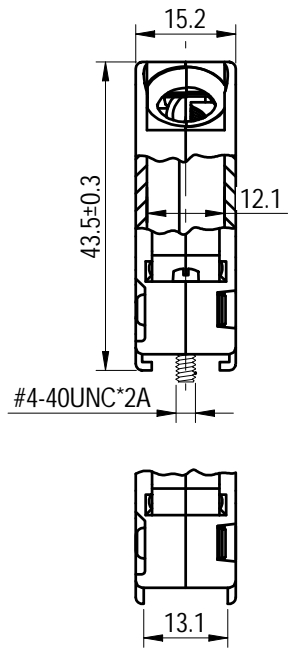


**RoHS Compliant**



Tolerance Unspecified  
 X.X ±0.38  
 X.XX ±0.25  
 X.XXX ±0.15  
 X° ±2°  
 X.X° ±1°

REV	ECN	DESCRIPTION	DRFT	DATE
00				

<b>DEGSON</b>		MATERIAL:	SURFACE/COLOR:		
APPD:		MAT NO./REV:	/ 00	MAT STATUS: 批量	
CHKD:		NAME			
DRFT:	唐本恒	2023.9.11	DG. 23003 45度 FM型DB 15P金属壳		
④	A4	DRAWING NO.	TYPE	DRAWING STATUS	SHEET
		200035877	CUSTOMER DRAWING	work	1/1

Transfer or duplication of this document as well as the utilization or communication of its contents are prohibited unless explicit authorization is granted. Violations will be liable for compensation. All rights reserved for patent, utility model or design registrations. 除专利等明确授权外, 否则禁止转让、复制、引用、交流等文件的内容。未经授权, 复制或传播任何内容, 本公司保留追究法律责任的所有权利。

A

B

C

D