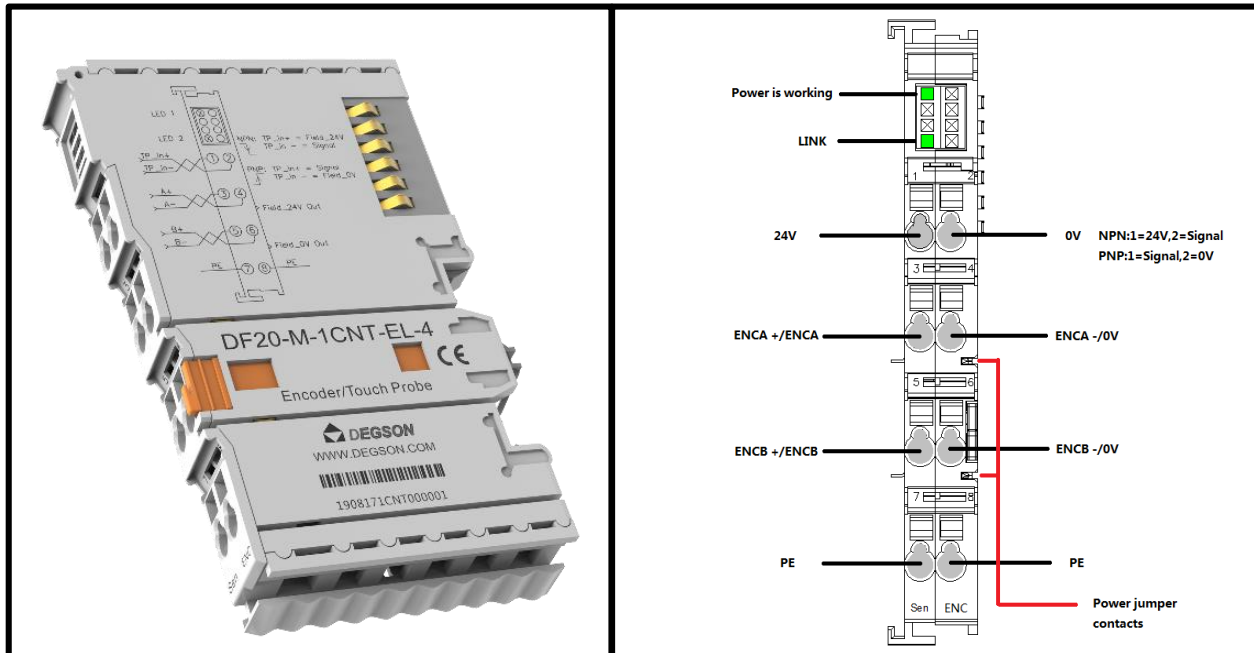


### ◆ 1 channel encoder input/ 24VDC(DF20-M-1CNT-EL-4)

- The module supports one channel of encoder input ,Input signal voltage 24VDC.
- The two LED indicators respectively indicate the normal operation and communication of the module.
- Field and system levels are Magnetic isolated.
- Transmitted with a resolution of 16 bits.
- Protection level IP20.

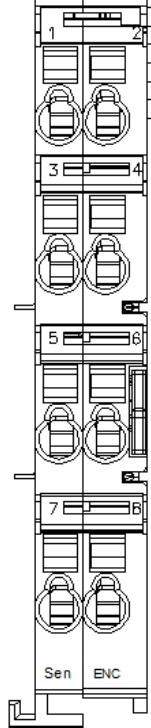


## 1. Specification

<b>Technical data</b>	
Number of channels	1
Maximum frequency count	1Mhz
Input signal type	Incremental encoder
Input signal voltage	24VDC
Input connection type	4-line
Resolution [bit]	32 Bit
Precision	± 1 pulse
Data size	12 Byte
Supply voltage (system)	5VDC; via data contacts
Current consumption	<30mA
Working voltage	24VDC (-15%~+20%) via power jumper contacts
Isolation	500Vsystem/field Magnetic isolation
Fault diagnosis	Yes
Reverse protection	Yes
Indicators	2 x LED Green
Number of incoming power jumper contacts	2
Number of outgoing power jumper contacts	2
<b>Connection data</b>	
Connection technology: inputs / outputs	8 x via pluggable connector
Connection type 1	Inputs/Outputs
Area of wire	0.2~2.5mm <sup>2</sup> /28~14AWG
Strip length	8~9mm/0.31~0.35inches
Mounting type	DIN-35 RAIL
<b>Material Data</b>	
Color	light gray
Housing material	Polycarbonate; polyamide 6.6
Conformity marking	CE
<b>Environmental requirements</b>	
Ambient temperature (operation)	-25~60°C
Surrounding air temperature (storage)	-40~85°C
Protection type	IP20
Pollution degree (5)	2, Per IEC 61131-2
Operating altitude	without temperature derating: 0~2000m
Mounting position	Any
Relative humidity (without condensation)	5~95%RH
Vibration resistance	4g, Per IEC 60068-2-6
Shock resistance	15g, Per IEC 60068-2-27
EMC immunity to interference	Per EN 61000-6-2
EMC emission of interference	Per EN 61000-6-3
Exposure to pollutants	Per IEC 60068-2-42 and IEC 60068-2-43
Permissible pollutant concentration H <sub>2</sub> S at a relative humidity < 75%	10ppm
Permissible pollutant concentration SO <sub>2</sub> at a relative humidity < 75%	25ppm

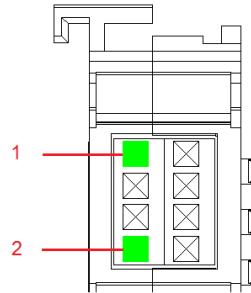
## 2. Hardware Interface

### ● Wiring Terminal



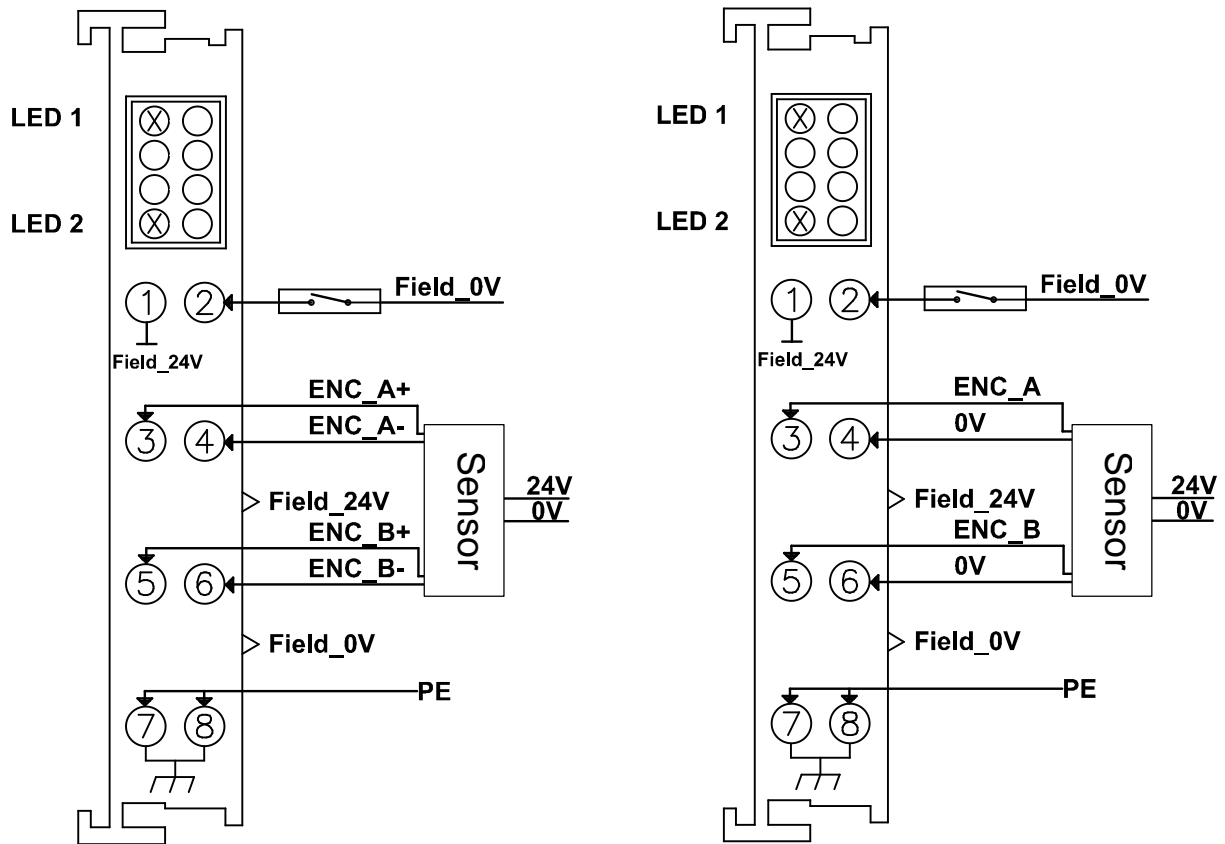
No.	Signal	Description
1	24V	NPN: No.1 connect 24V, No.2 connect low effective signal PNP: No.1 connect high effective signal, No.2 connect 0V
2	0V	
3	Quadrature encoder A+	24V input voltage , quadrature encoder
4	Quadrature encoder A-	
5	Quadrature encoder B+	
6	Quadrature encoder B-	
7	PE	Protect Earthing
8	PE	

● LED Indicator



LED Indicator	State		Definition
1	Green:ON		Power Normal
	Green:OFF		Power Failure
2	Power-on	Green:ON	Module is being initialized
		Green:OFF	Module initialization is complete
	Running	Green: Flash	The module runs normally
		Green:OFF	Module operating fault

## ● Wiring



A+/A-&B+/B- Differential signal

A/B signal

In the left figure, the input A+/A- and B+/B- of the incremental encoder correspond to pins 3, 4, 5 and 6; The electron probe input corresponds to pin 1 and pin 2. The module supports NPN switch input by default, that is, pin 1 is connected to 24V inside and pin 2 is connected to low effective signal outside. 7, 8 pin to the safety ground.

In the right figure, the input A and B of the incremental encoder correspond to pins 3 and 5; Pins 4 and 6 connected to the sensor 0V; The electron probe input corresponds to pin 1 and pin 2.

The module supports NPN switch input by default, that is, pin 1 is connected to 24V inside and pin 2 is connected to low effective signal outside. 7, 8 pin to the safety ground.

### 3.Process data definition

#### DF20-M-1CNT-EL-4 Module process data definition

Output data									
Bit No	Bit 7	Bit 6	Bit 5	Bit 4	Bit 3	Bit 2	Bit 1	Bit 0	Data type
Byte 0	Command data								Uint16
Byte 1									
Input data									
Bit No	Bit 7	Bit 6	Bit 5	Bit 4	Bit 3	Bit 2	Bit 1	Bit 0	Data type
Byte 0	State data								Uint16
Byte 1									
Byte 2	Encoder data is 16 bits high								Int32
Byte 3									
Byte 4									
Byte 5	Encoder data is 16 bits lower								
Byte 6	The electron probe is 16 bits high								Int32
Byte 7									
Byte 8									
Byte 9	The electron probe latch is 16 bits lower								

#### Output data definition

Byte 0	0x012B: Sampling command 0x012C: This command is used to clear sampling data
Byte 1	Other data: Idle command

#### Input data definition

Byte 0	0x010B: State of sampling 0x010C: Data zeroing status
Byte 1	0x010E: State of error 0x0109: Idle state
Byte 2	Data range: -2147483648~2147483647
Byte 3	
Byte 4	
Byte 5	
Byte 6	Data range: -2147483648~2147483647
Byte 7	
Byte 8	
Byte 9	

## 4. Machinery installation

### ● Dimension drawing

The installation size is shown in the following figure (unit: mm):

