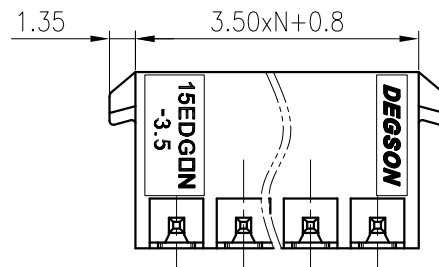
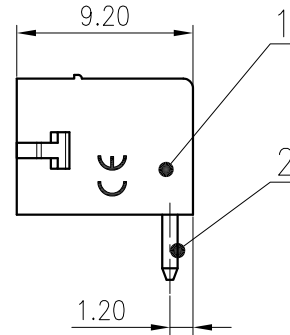
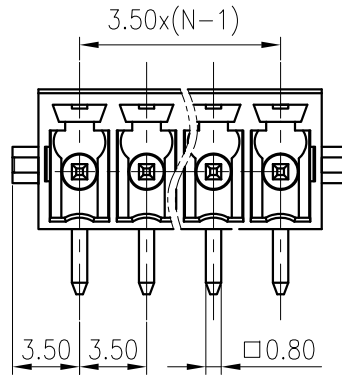
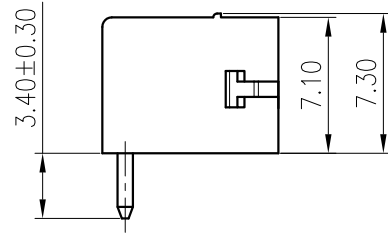
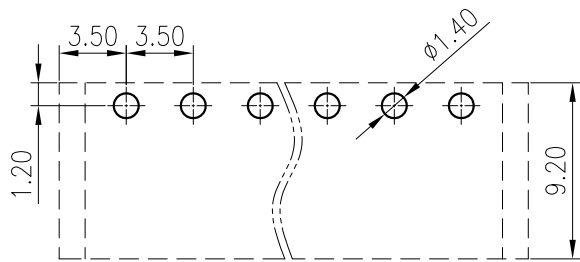


未注公差/General tolerances(mm)											0.1/10			
0	>3	>6	>10	>18	>30	>50	>80	>120	>180	>250	>315	>400	>500	±2'
~3	~6	~10	~18	~30	~50	~80	~120	~180	~250	~315	~400	~500		
±0.12	±0.18	±0.22	±0.26	±0.31	±0.37	±0.57	±0.80	±0.93	±1.05	±1.15	±1.60	±2.20	±2.50	



PCB LAYOUT



文管中心
研发专用
2020.05.28
(仅限内部使用, 对外无效)

ITEM	NAME OF PART	MATERIAL	NOTES	
2	Pin	Copper alloy	Sn plated	
1	Housing	PA66	UL94V-0	
JL 标准/UL Standard:		B	C	D
额定电压/电流/Rated Voltage(V)/Current(A)		300/8	/	300/8
IEC 标准/IEC Standard:				
过压类别/Overvoltage Category/污染等级/Pollution Degree		III/3	III/2	II/2
额定电压/电流/Rated Voltage(V)/Current(A)		/	/	250/7
额定脉冲电压(KV)/Rate Impulse Voltage(KV)		/	/	2.5
间距/Pitch(mm)/线数范围/Poles		3.5/N=02~22P		
使用温度范围/Operating temperature(°C)		-40~+105		
符合RoHS环保要求/Conform to RoHS		Yes		

MATERIAL:	SURFACE:			
MAT NO.:	/			
STATUS:	/			
APPD: Lan ChH 2020.05.28	NAME: 宁波高松电子有限公司 NINGBO DEGSON ELECTRICAL CO., LTD			
CHKD: Yu JZh 2020.05.28	15EDGRN-3.5-XXP-1Y-00A(H)			
DRFT: BYH 2019.04.02	DRAWING NO.:	15EDGRN-3.5-C01	REV	T1
SIZE: A4	TYPE: CUSTOMER DRAWING	SCALE: 2.5:1	SHEET	1/1

REV	ECN	DESCRIPTION	DRFT	DATE
T1		Change the frame	Wu LF	2020.05.28