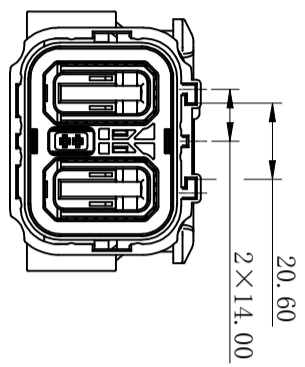
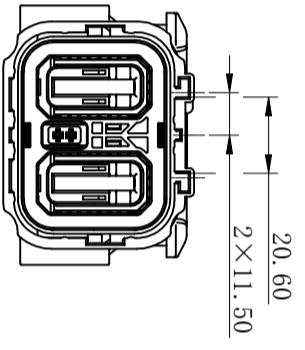
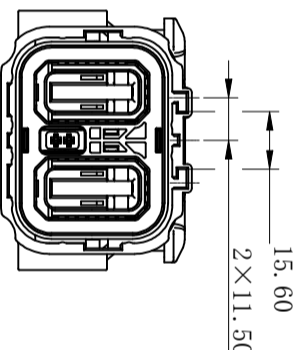
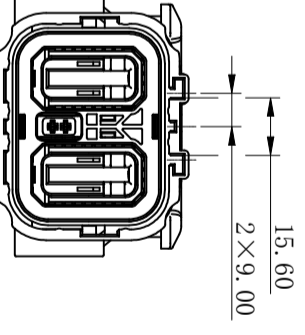
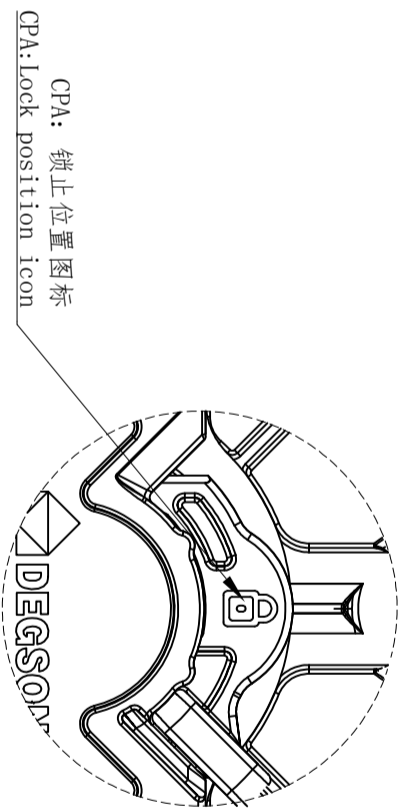
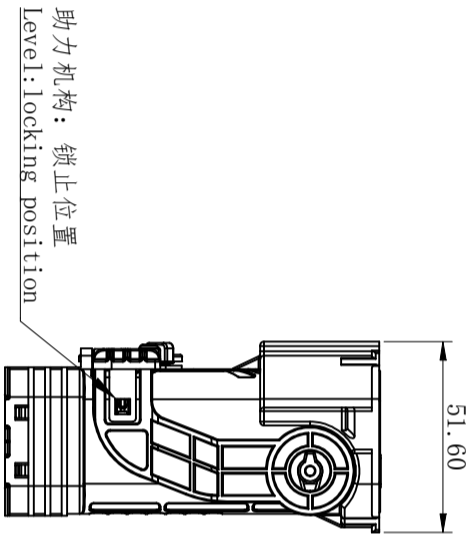
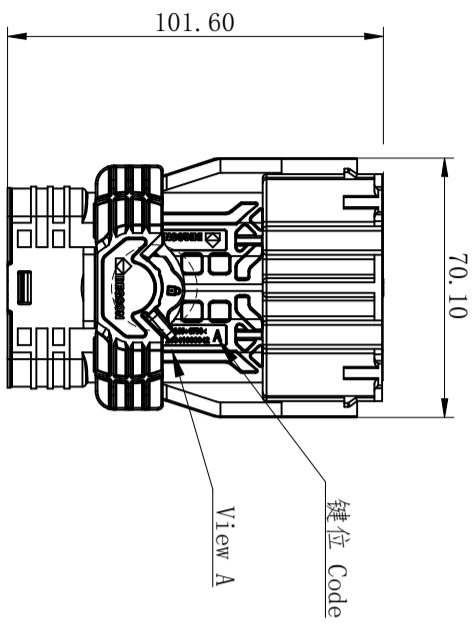
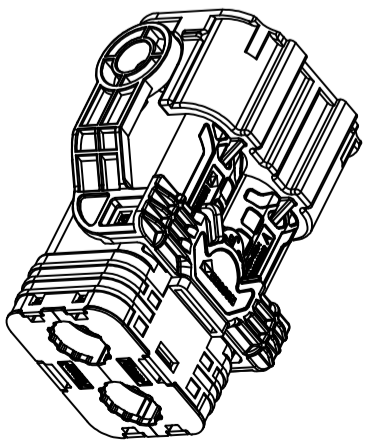


客户图

Drawings for customers

未注公差参照/General tolerances according to(um): ISO2768-1 C					
>0.5~3	>3~6	>6~30	>30~120	>120~400	>400~1000
±0.2	±0.3	±0.5	±0.8	±1.2	±2
					±3
					±4

名称 Name	2芯1800-180度插头总成CodeA 2PIN1800-180deg Plug Assy-CodeA	2芯1800-180度插头总成CodeB 2PIN1800-180deg Plug Assy-CodeB	2芯1800-180度插头总成CodeC 2PIN1800-180deg Plug Assy-CodeC	2芯1800-180度插头总成CodeD 2PIN1800-180deg Plug Assy-CodeD
键位 Code	A	B	C	D
型号 Type	DBYS-02AX8-WXX	DBYS-02BX8-WXX	DBYS-02CX8-WXX	DBYS-02DX8-WXX
键位示意图 Different code view				
对插键位 Matching code	DBYR-02AX8-S70 (2芯1800-插座总成 CodeA)	DBYR-02BX8-S70 (2芯1800-插座总成 CodeB)	DBYR-02CX8-S70 (2芯1800-插座总成 CodeC)	DBYR-02DX8-S70 (2芯1800-插座总成 CodeD)



技术要求 Technical specification:

- 1、性能参数 Performance parameter:
- a、工作温度 Temperature Range: -40℃~125℃
 - b、额定工作电压 Working Voltage: 1000V DC
 - c、额定工作电流 Current Capability:
130A Max@25mm² 200A Max@35mm²
250A Max@50mm² 280A Max@70mm²
 - d、工作海拔 Altitude: 5000M
 - e、绝缘电阻 Insulation resistance: >200MΩ 1000V DC
 - f、耐电压 Withstand voltage: <5mA Imin 3000V AC
 - g、防护等级 Class of protection: IP68, IP6K9K, IPXXB
- ★ 2、法律法规 Laws and regulations
- a、阻燃等级 Flame retardant rating: UL94 V0
 - b、环保要求 Environmental protection requirement: RoHS 2.0

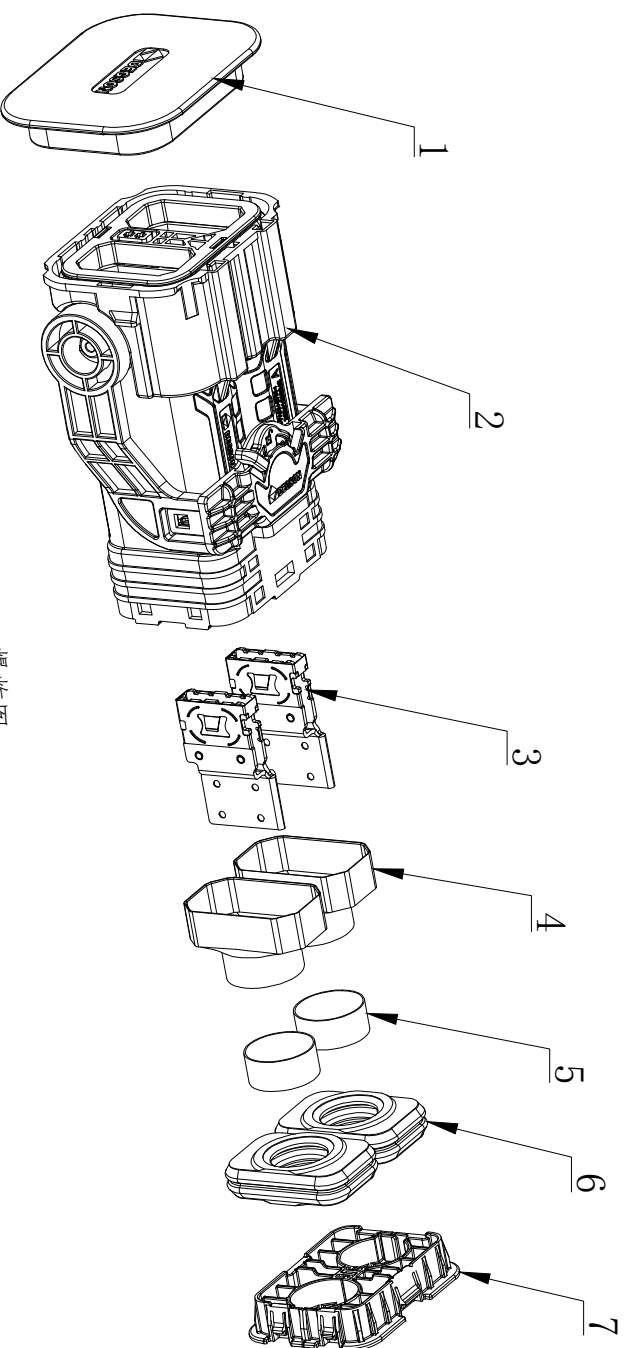
REV	FCN	DESCRIPTION	DATE
00	/	图纸首发/First edition drawing	2024-07-26
		变更描述	

	材料/MATERIAL: /	表面效果/SURFACE: /
批准/APPD: 梁荣 2024.07.26	料号/PN: 26040000061	样品状态/SMT STATUS: 批量/Quantity production
审核/CHD: 李京乐 2024.07.26	名称/NAME: 2芯1800-180度插头总成	
制图/DWT: 梁荣 2024.07.26	2PIN1800-180deg Plug Assy	
版本/REV: 00	类型/TYPE: 客户图纸/Customer drawing	图纸状态/DRAWING STATUS: /
		比例/SCALE: 1:2
		页数/SHEET: 1/2

客户图

Drawings for customers

型号/料号 Type/PV	物料描述 Product description	子零件BOM Component BOM	No. 1	No. 2	No. 3	No. 4	No. 5	No. 6	No. 7	适用线缆外 径 Applicable cable diameter (mm)	备注 Note			
												CodeA	CodeB	CodeC
DBYS-02DX8-W70 26040000052	70mm ² , CodeD, Shielded connector		1	-	2	-	-	-	2	-	-	2	17.8±0.4	
DBYS-02CX8-W70 26040000051	70mm ² , CodeC, Shielded connector		1	-	2	-	-	-	2	-	-	2	17.8±0.4	
DBYS-02BX8-W70 26040000050	70mm ² , CodeB, Shielded connector		1	1	2	-	-	-	2	-	-	2	17.8±0.4	
DBYS-02AX8-W70 26040000049	70mm ² , CodeA, Shielded connector		1	1	2	-	-	-	2	-	-	2	17.8±0.4	
DBYS-02DX8-W50 26040000056	50mm ² , CodeD, Shielded connector		1	-	2	-	-	-	2	-	-	2	15.5±0.3	
DBYS-02CX8-W50 26040000055	50mm ² , CodeC, Shielded connector		1	-	2	-	-	-	2	-	-	2	15.5±0.3	
DBYS-02BX8-W50 26040000054	50mm ² , CodeB, Shielded connector		1	1	2	-	-	-	2	-	-	2	15.5±0.3	
DBYS-02AX8-W50 26040000053	50mm ² , CodeA, Shielded connector		1	1	2	-	-	-	2	-	-	2	15.5±0.3	
DBYS-02DX8-W35 26040000060	35mm ² , CodeD, Shielded connector		1	-	2	-	-	-	2	-	-	2	14.1±0.3	
DBYS-02CX8-W35 26040000059	35mm ² , CodeC, Shielded connector		1	-	2	-	-	-	2	-	-	2	14.1±0.3	
DBYS-02BX8-W35 26040000058	35mm ² , CodeB, Shielded connector		1	1	2	-	-	-	2	-	-	2	14.1±0.3	
DBYS-02AX8-W35 26040000057	35mm ² , CodeA, Shielded connector		1	1	2	-	-	-	2	-	-	2	14.1±0.3	
DBYS-02DX8-W25 26040000064	25mm ² , CodeD, Shielded connector		1	-	2	-	-	-	2	-	-	2	11.9±0.3	
DBYS-02CX8-W25 26040000063	25mm ² , CodeC, Shielded connector		1	-	2	-	-	-	2	-	-	2	11.9±0.3	
DBYS-02BX8-W25 26040000062	25mm ² , CodeB, Shielded connector		1	1	2	-	-	-	2	-	-	2	11.9±0.3	
DBYS-02AX8-W25 26040000061	25mm ² , CodeA, Shielded connector		1	1	2	-	-	-	2	-	-	2	11.9±0.3	

爆炸图
Explsion view

- 注意 Note:**
- 1、线缆尺寸标准来源于LV216，如线缆直径与LV216的不一致，可能会引起装配困难或密封失效；
 - 1、The cable dimensions are provided by the LV216. If the cable diameter is different from the LV216, assembly difficulties or seal failures may occur;
 - 2、每横排为装配一套产品所需要的数量。可按最左列成品料号购买，也可单独按子零件料号购买子零件。
 - 2、Each row is the number required to assemble a set of products. It can be purchased by the finished part number in the leftmost column, or it can be purchased separately by the part number of the sub-part.

00	/	图纸首发/First edition drawing	变更描述	设计人	设计日期
图纸版本 REV	ECN	DESCRIPTION	DRFT	DATE	

	批准/APPD	梁东	2024.07.26	名称/NAME: 2芯180-180度插头总成 2PIN1800-180deg Plug Assy	表面效果/SURFACE: /
	审核/CHD	李东乐	2024.07.26		
	制图/DRFT	梁东	2024.07.26	版本/REV 00	样品状态/SMT STATUS: 批量/quantity production
				客户图纸/Customer drawing	图纸状态/DRAWING STATUS /
				比例/SCALE 1:2	页码/SHEET 2/2