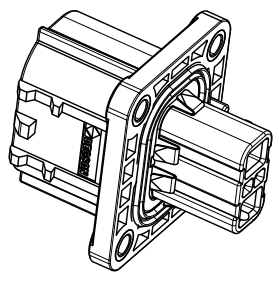
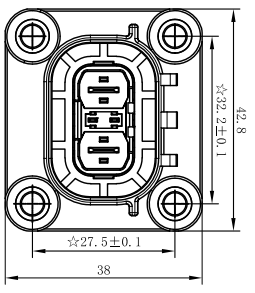
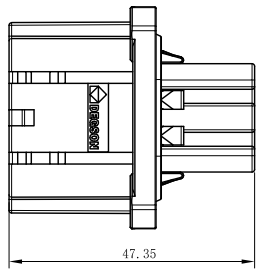


客户图

Drawings for customers

公差标准参照 (General tolerances according to GB/T 15227-2001)					
±0.1	±0.2	±0.3	±0.4	±0.5	±0.6
16.3-30	17.8	19.30	20.75	22.2	23.6
30.0-45	31.5	33.0	34.5	36.0	37.5
45.0-60	46.5	48.0	49.5	51.0	52.5
60.0-75	61.5	63.0	64.5	66.0	67.5
75.0-90	76.5	78.0	79.5	81.0	82.5
90.0-105	91.5	93.0	94.5	96.0	97.5
105.0-120	106.5	108.0	109.5	111.0	112.5
120.0-135	121.5	123.0	124.5	126.0	127.5
135.0-150	136.5	138.0	139.5	141.0	142.5
150.0-165	151.5	153.0	154.5	156.0	157.5
165.0-180	166.5	168.0	169.5	171.0	172.5
180.0-195	181.5	183.0	184.5	186.0	187.5
195.0-210	196.5	198.0	199.5	201.0	202.5
210.0-225	211.5	213.0	214.5	216.0	217.5
225.0-240	226.5	228.0	229.5	231.0	232.5
240.0-255	241.5	243.0	244.5	246.0	247.5

名称 Name	2芯630插座总成CodeA 2PIN630 Header Assy-CodeA	2芯630插座总成CodeB 2PIN630 Header Assy-CodeB	2芯630插座总成CodeC 2PIN630 Header Assy-CodeC	2芯630插座总成CodeD 2PIN630 Header Assy-CodeD	2芯630插座总成CodeE 2PIN630 Header Assy-CodeE
键位 Code	A	B	C	D	E
型号 Type	DBYR-02A63-CXX	DBYR-02B63-CXX	DBYR-02C63-CXX	DBYR-02D63-CXX	DBYR-02E63-CXX
键位示意图 Different code View					
对插型号 Matching Type	DBYS-02A63-CXX 2芯630插头总成CodeA	DBYS-02B63-CXX 2芯630插头总成CodeB	DBYS-02C63-CXX 2芯630插头总成CodeC	DBYS-02D63-CXX 2芯630插头总成CodeD	DBYS-02E63-CXX 2芯630插头总成CodeE



成品图  
Product view

技术要求 Technical specification:

1、性能参数 Performance parameter:

a、工作温度 Temperature Range: -40°C~125°C

b、额定工作电压 Working Voltage: 1000V DC

c、额定工作电流 Current Capability:  
32A Max@4mm<sup>2</sup>  
40A Max@6mm<sup>2</sup>

d、工作海拔 Altitude: 5000M

e、绝缘电阻 Insulation resistance: >500MΩ 1000V DC

f、耐电压 Withstand voltage: <5mA 1min 3000V AC

g、防护等级 Class of protection: IP68、IP6K9K、IPXXB

2、法律法规 Laws and regulations

a、阻燃等级 Flame retardant ratings: UL94 V0

b、环保要求 Environmental protection requirement: RoHS 2.0

00	/	图纸首发/First edition drawing	变更描述 DESCRIPTION	设计人 DESIGNER	设计日期 DATE	审核/审核 CHECKED/APPVED	日期 DATE	材料/MATERIAL: /	表面涂装/SURFACE: /
00	00	00	00	00	00	00	00	00	00
姓名/NAME:		梁东 2024.07.26		梁东 2024.07.26		梁东 2024.07.26		梁东 2024.07.26	
名称/NAME:		2PIN630插座总成		2PIN630 Header Assy		2PIN630 Header Assy		2PIN630 Header Assy	
规格/TYPE:		2PIN630 Header Assy		2PIN630 Header Assy		2PIN630 Header Assy		2PIN630 Header Assy	
图例/STATUS:		00		00		00		00	
比例/SCALE:		1:1		1:1		1:1		1:1	
页码/PAGE:		1/2		1/2		1/2		1/2	

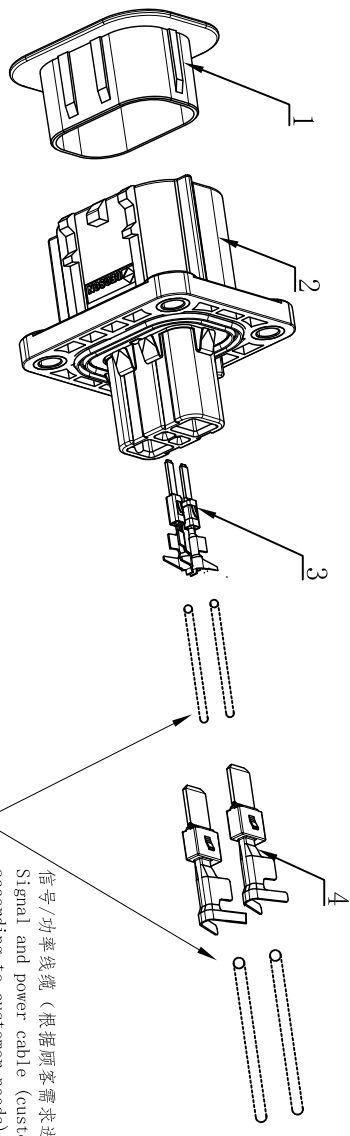
客户图

Drawings for customers

型号/Type/料号PN	物料描述 Product description	子零件BOM Component BOM	No. 1					No. 2					No. 3	No. 4	键位 Code	备注 Note
			插座防尘盖 Header dust cover	CodeA	CodeB	CodeC	CodeD	CodeE	插座壳体总成 Header Housing Assy	CodeA	CodeB	CodeC				
DBYR-02E63-C06 26040000076	Shielded connector	CodeE	1	-	-	-	-	1	2	2	2	2	2	2	E	
DBYR-02D63-C06 26040000075	Shielded connector	CodeD	1	-	-	-	1	-	2	2	2	2	2	2	D	
DBYR-02C63-C06 26040000074	Shielded connector	CodeC	1	-	-	1	-	-	2	2	2	2	2	2	C	
DBYR-02B63-C06 26040000073	Shielded connector	CodeB	1	-	1	-	-	-	2	2	2	2	2	2	B	
DBYR-02A63-C06 26040000072	Shielded connector	CodeA	1	1	-	-	-	-	2	2	2	2	2	2	A	
DBYR-02E63-C04 26040000338	Shielded connector	CodeE	1	-	-	-	-	1	2	2	2	2	2	2	E	
DBYR-02D63-C04 26040000337	Shielded connector	CodeD	1	-	-	-	1	-	2	2	2	2	2	2	D	
DBYR-02C63-C04 26040000336	Shielded connector	CodeC	1	-	-	1	-	-	2	2	2	2	2	2	C	
DBYR-02B63-C04 26040000335	Shielded connector	CodeB	1	-	1	-	-	-	2	2	2	2	2	2	B	
DBYR-02A63-C04 26040000334	Shielded connector	CodeA	1	1	-	-	-	-	2	2	2	2	2	2	A	

注意 Note:

- 1、线缆尺寸标准来源于LV216, 如线缆直径与LV216的不一致, 可能会引起装配困难或密封失效;
- 1、The cable dimensions are provided by the LV216. If the cable diameter is different from the LV216, assembly difficulties or seal failures may occur;
- 2、每横排为装配一套产品所需要的数量。可按最左列成品料号购买, 也可单独按子零件料号购买子零件。
- 2、Each row is the number required to assemble a set of products. It can be purchased by the finished part number in the leftmost column, or it can be purchased separately by the part number of the component.



00	00	/	图纸首次/First edition drawing	罗曼铃	2024-07-26	罗曼铃	2024.07.26	梁东	2024.07.26	梁东	2024.07.26	罗曼铃	2024.07.26	罗曼铃	2024.07.26	罗曼铃	2024.07.26	罗曼铃	2024.07.26	罗曼铃	2024.07.26	
物料描述	物料描述	变更描述	DESCRIPTION	设计人	设计日期	审核/审核	日期	材料/MATERIAL	料号/PN	表面效果/SURFACE	样品来源/SAMPLE STATUS	数量/Quantity	生产/production	名称/NAME	类型/TYPE	图纸状态/DRAWING STATUS	比例/SCALE	页数/SHEET	2芯630型屏蔽头	2PIN630 Header Assy	1:1	2/2