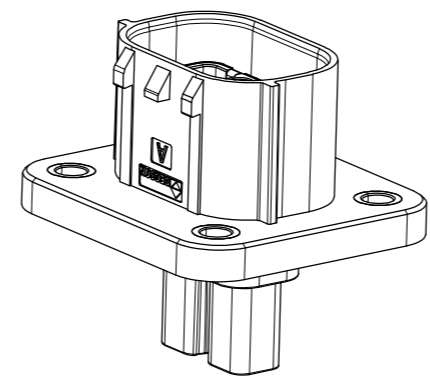
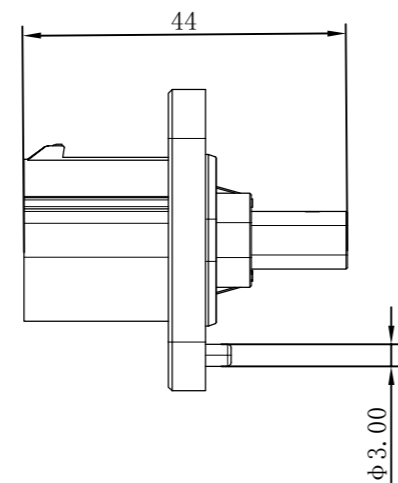
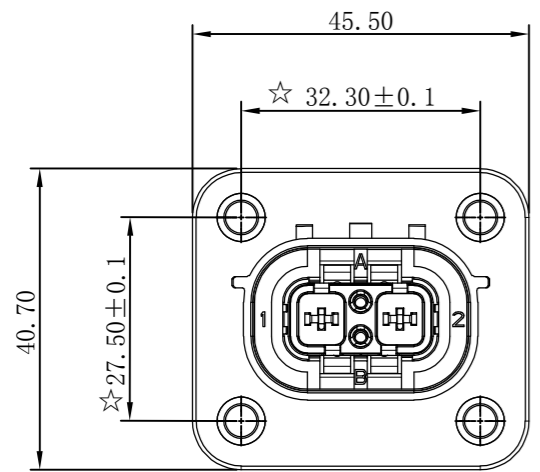


# 客户图 Drawings for customers

未注公差参照/General tolerances according to(mm): ISO2768-1 C						
>0.5~3	>3~6	>6~30	>30~120	>120~400	>400~1000	>1000~2000
±0.2	±0.3	±0.5	±0.8	±1.2	±2	±3

名称 Name	2芯280-插座总成CodeA 2PIN280-Header Assy-CodeA	2芯280-插座总成CodeB 2PIN280-Header Assy-CodeB	2芯280-插座总成CodeC 2PIN280-Header Assy-CodeC	2芯280-插座总成CodeD 2PIN280-Header Assy-CodeD	2芯280-插座总成CodeE 2PIN280-Header Assy-CodeE
键位 Code	A	B	C	D	E
键位示意图 Differernt code view					



产品图  
product view

### 技术要求 Technical specification:

- 性能参数 Performance parameter:
  - 工作温度 Temperature Range: -40℃~125℃
  - 额定工作电压 Working Voltage: 1000V DC
  - 额定工作电流 Current Capability:
    - 16A Max@2.5mm<sup>2</sup>
    - 24A Max@4mm<sup>2</sup>
  - 工作海拔 Altitude: 5000M
  - 绝缘电阻 Insulation resistance: >200MΩ 1000V DC
  - 耐电压 Withstand voltage: <5mA 1min 3000V AC
  - 防护等级 Class of protection: IP68、IP6K9K、IPXXB
- 法律法规 Laws and regulations
  - ★a、产品符合阻燃要求;
    - a、The product meets the flame retardant requirements
  - ★b、环保要求 Environmental protection requirement: RoHS 2.0

			材料/MATERIAL: /	表面效果/SURFACE: /
			料号/PN: 2604000006	样品状态/MAT STATUS: /
批准/APPD 梁东 2024-06-15	名称/NAME: 2芯280-插座总成			F
审核/CHKD 李京乐 2024-06-15	2PIN280-Header Assy			
制图/DRFT 陈自发 2024-06-15	版本/REV 00	类型/TYPE 客户图纸/Customer drawing	图纸状态/DRAWING STATUS /	比例/SCALE 1:1
00 / 图纸首发/First edition drawing	设计人 陈自发	设计日期 2024-06-15	页数/SHEET 1/2	
REV ECN	DESCRIPTION	DRFT DATE		

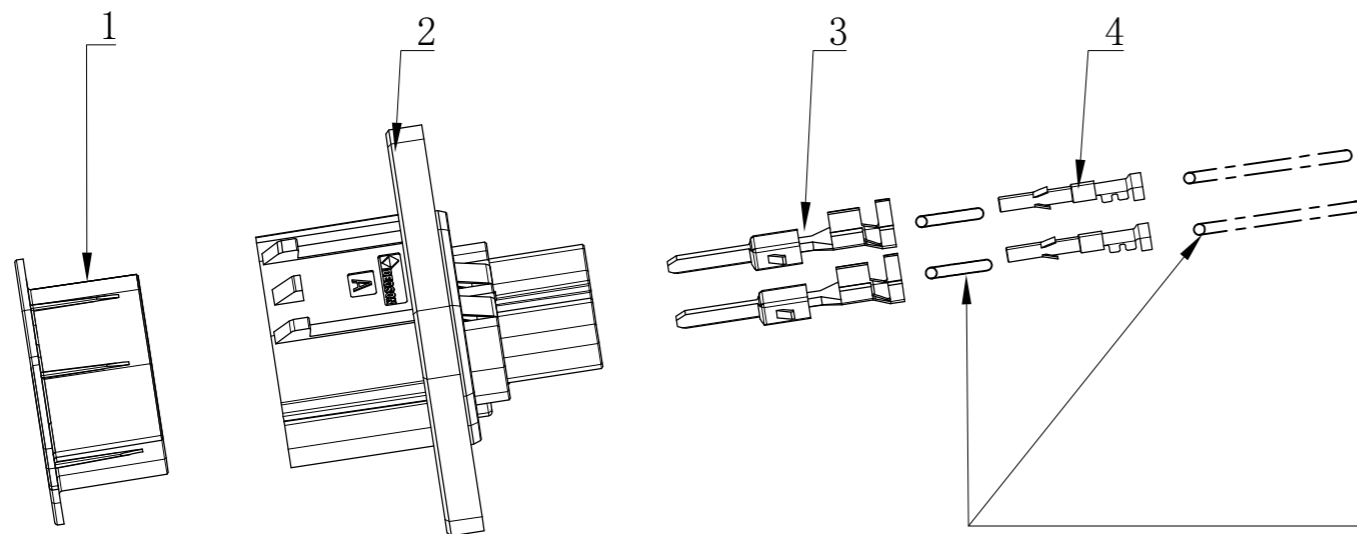
Transfer or duplication of this document as well as the utilization or communication of its contents are prohibited unless explicit authorization is granted. Violations will be liable for compensation. All Rights reserved for patent, utility model or design registrations. 除非经书面授权, 否则禁止转让、复制、利用、交流本文件内容。未经授权擅自复制或传播, 侵权者将依法追责。 本公司保留对设计变更的所有权利。

# 客户图

## Drawings for customers

Transfer or duplication of this document as well as the utilization or communication of its contents are prohibited unless explicit authorization is granted. Violations will be liable for compensation. All rights reserved for patent. utility model or design registrations. 除非经书面明确授权，否则禁止转让、复制、利用、交流本文件所涵盖之内容。侵权者将依法承担法律责任。本公司保留所有权利。

DBYR-02E28-C04 26040000231	4mm <sup>2</sup> 、CodeE、 Shielded connector	1	-	-	-	-	1	2	2	E		
DBYR-02D28-C04 26040000227	4mm <sup>2</sup> 、CodeD、 Shielded connector	1	-	-	-	1	-	2	2	D		
DBYR-02C28-C04 26040000223	4mm <sup>2</sup> 、CodeC、 Shielded connector	1	-	-	1	-	-	2	2	C		
DBYR-02B28-C04 26040000219	4mm <sup>2</sup> 、CodeB、 Shielded connector	1	-	1	-	-	-	2	2	B		
DBYR-02A28-C04 26040000004	4mm <sup>2</sup> 、CodeA、 Shielded connector	1	1	-	-	-	-	2	2	A		
DBYR-02E28-C03 26040000229	2.5mm <sup>2</sup> 、CodeE、 Shielded connector	1	-	-	-	-	1	2	2	E		
DBYR-02D28-C03 26040000225	2.5mm <sup>2</sup> 、CodeD、 Shielded connector	1	-	-	-	1	-	2	2	D		
DBYR-02C28-C03 26040000220	2.5mm <sup>2</sup> 、CodeC、 Shielded connector	1	-	-	1	-	-	2	2	C		
DBYR-02B28-C03 26040000217	2.5mm <sup>2</sup> 、CodeB、 Shielded connector	1	-	1	-	-	-	2	2	B		
DBYR-02A28-C03 26040000006	2.5mm <sup>2</sup> 、CodeA、 Shielded connector	1	1	-	-	-	-	2	2	A		
型号/料号 Type /PN	物料描述 Product description	26040000328	26040000111	26040000233	26040000237	26040000241	26040000245	26040000325	26040000326	键位 Code	备注 Note	
		插座防尘盖 Header dust cover	CodeA	CodeB	CodeC	CodeD	CodeE	公端子 Male terminal	高压互锁端子 HVIL Terminal			
		子零件BOM Component BOM				插座壳体总成 Header housing Assy						
		No. 1	No. 2				No. 3	No. 4				



爆炸图  
Exploded View

功率线缆、信号线缆（根据顾客需求进行定制）  
Power cable Signal cable (customized according to customer needs)

注意 Note:

1、每横排为装配一套产品所需要的数量。可按最左列成品料号购买，也可单独按子零件料号购买子零件

1、Each row is the number required to assemble a set of products. It can be purchased by the finished part number in the leftmost column, or it can be purchased separately by the part number of the component.

			材料/MATERIAL: /		表面效果/SURFACE: /		
			料号/PN: 26040000006		样品状态/MAT STATUS: /		
批准/APPD	梁东	2024-06-15	名称/NAME: 2芯280-插座总成				
审核/CHKD	李京乐	2024-06-15	2PIN280-Header Assy				
制图/DRFT	陈自发	2024-06-15	版本/REV	类型/TYPE	图纸状态/DRAWING STATUS	比例/SCALE	
⊕ ⊖	A3	mm Inch	00	客户图纸/Customer drawing	/	1:1	
00	/	图纸首发/First edition drawing	陈自发	2024-06-15	00	客户图纸/Customer drawing	2/2
图纸版本	ECN	变更描述	设计人	设计日期			
REV	ECN	DESCRIPTION	DRFT	DATE			