

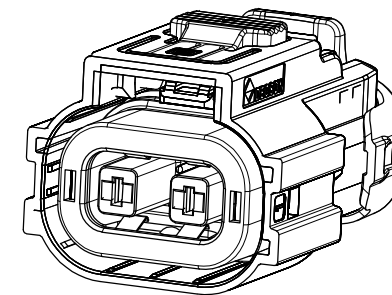
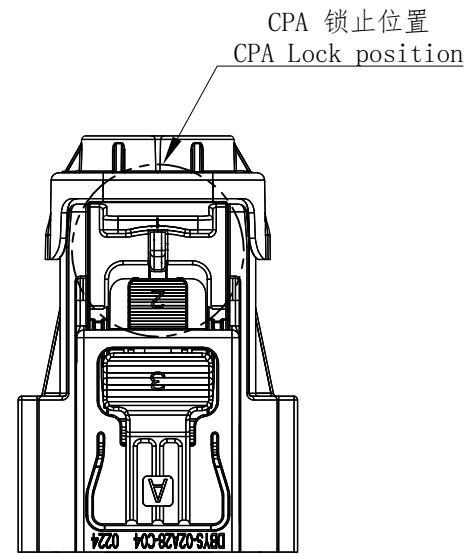
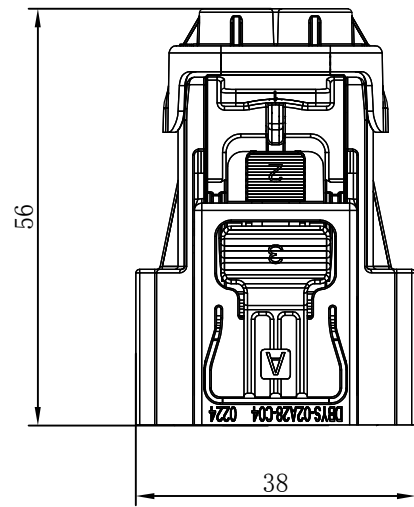
客户图

Drawings for customers

未注公差参照/General tolerances according to(mm): ISO2768-1 C

>0.5~3	>3~6	>6~30	>30~120	>120~400	>400~1000	>1000~2000	>2000~4000
±0.2	±0.3	±0.5	±0.8	±1.2	±2	±3	±4

名称 Name	2芯280插头总成CodeA 2PIN280 Plug Assy-CodeA	2芯280插头总成CodeB 2PIN280 Plug Assy-CodeB	2芯280插头总成CodeC 2PIN280 Plug Assy-CodeC	2芯280插头总成CodeD 2PIN280 Plug Assy-CodeD	2芯280插头总成CodeE 2PIN280 Plug Assy-CodeE
键位 Code	A	B	C	D	E
键位示意图 Differernt code view					
对插型号 Matching type	DBYR-02A28-CXX (2芯280-插座总成 CodeA)	DBYR-02B28-CXX (2芯280-插座总成 CodeB)	DBYR-02C28-CXX (2芯280-插座总成 CodeC)	DBYR-02D28-CXX (2芯280-插座总成 CodeD)	DBYR-02E28-CXX (2芯280-插座总成 CodeE)



产品图
product view

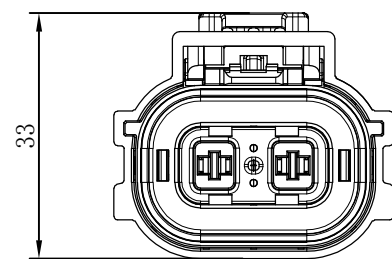
技术要求 Technical specification:

1、性能参数 Performance parameter:

- a、工作温度 Temperature Range: -40℃~125℃
- b、额定工作电压 Working Voltage: 1000V DC
- c、额定工作电流 Current Capability:
16A Max@2.5mm² 24A Max@4mm²
- d、工作海拔 Altitude: 5000M
- e、绝缘电阻 Insulation resistance: >200MΩ 1000V DC
- f、耐电压 Withstand voltage: <5mA Imin 3000V AC
- g、防护等级 Class of protection: IP68、IP6K9K、IPXXB

2、法律法规 Laws and regulations

- ★a、产品符合阻燃要求;
a、The product meets the flame retardant requirements
- ★b、环保要求: RoHS 2.0.
b、Environmental protection requirement: RoHS 2.0.



			材料/MATERIAL: /	表面效果/SURFACE: /
			料号/PN: 26040000011	样品状态/MAT STATUS: /
批准/APPD 梁东 2024-06-15	名称/NAME: 2芯280插头总成			
审核/CHKD 李京乐 2024-06-15	2PIN280 Plug Assy			
制图/DRFT 陈自发 2024-06-15	版本/REV 00	类型/TYPE 客户图纸/Customer drawing	图纸状态/DRAWING STATUS /	比例/SCALE 1:1
00 / 图纸首发/First edition drawing	设计人 陈自发	设计日期 2024-06-15	页次/SHEET 1/2	
图纸版本 ECN	变更描述	DRFT DATE		
REV ECN	DESCRIPTION	DRFT DATE		

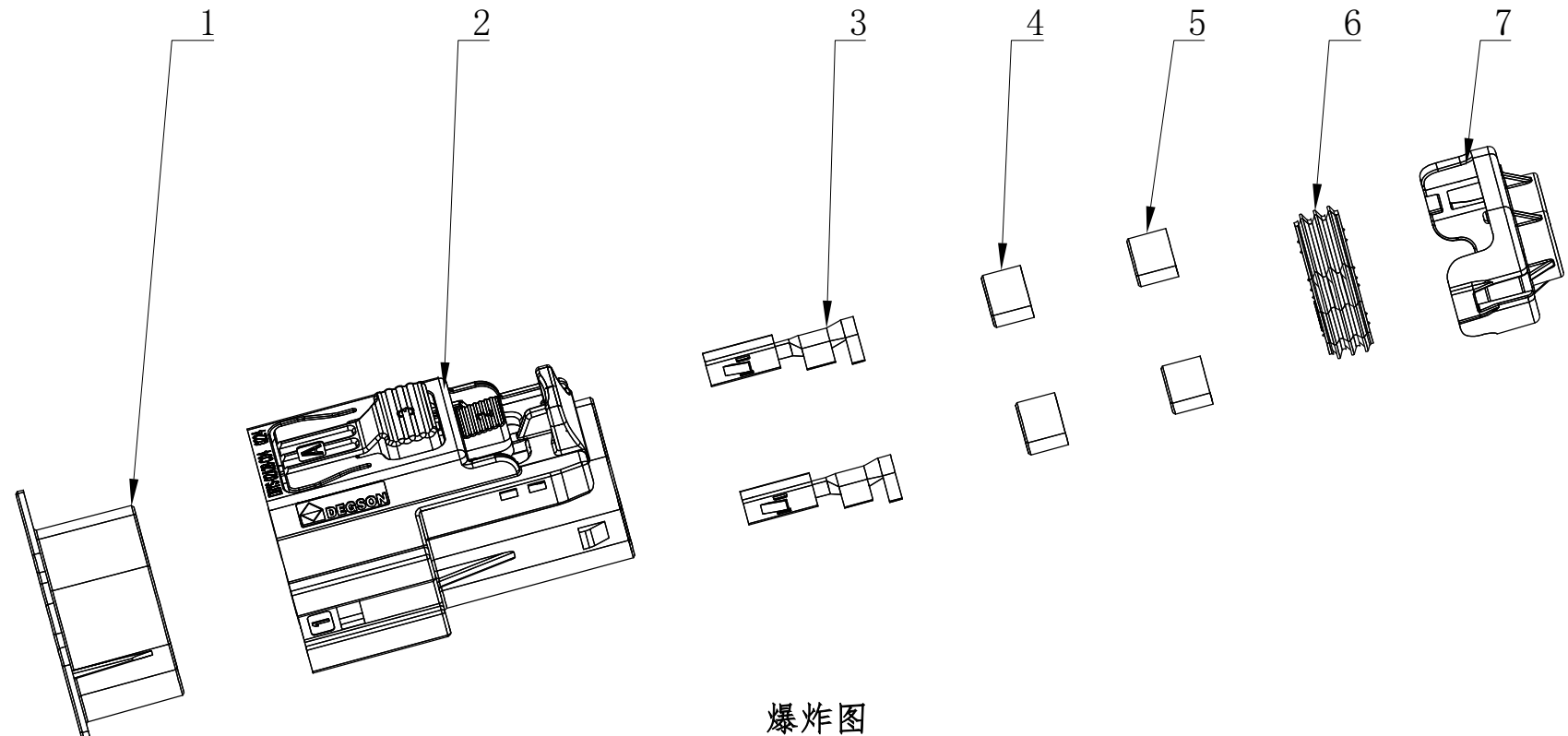
Transfer or duplication of this document as well as the utilization or communication of its contents are prohibited unless explicit authorization is granted. Violations will be liable for compensation. All rights reserved for patent, utility model or design registrations. 除非经书面授权, 复制或传播、利用、交流本文件内容, 否则禁止转让、复制或传播。侵权者将承担法律责任。本公司保留对专利、实用新型和外观设计的所有权利。

客户图

Drawings for customers

Transfer or duplication of this document as well as the utilization or communication of its contents are prohibited unless explicit authorization is granted. Violations will be liable for compensation. All rights reserved for patent. utility model or design registrations. 除非经书面授权, 否则禁止转让、复制、利用、交流本文件内容。未经授权擅自复制或传播, 侵权者将依法赔偿。本公司保留所有权利。

DBYS-02E28-C04 26040000230	4mm ² 、CodeE、 Shielded connector	1	-	-	-	-	1	2	-	2	-	2	-	1	-	1	7.00±0.20	
DBYS-02D28-C04 26040000226	4mm ² 、CodeD、 Shielded connector	1	-	-	-	1	-	2	-	2	-	2	-	1	-	1	7.00±0.20	
DBYS-02C28-C04 26040000222	4mm ² 、CodeC、 Shielded connector	1	-	-	1	-	-	2	-	2	-	2	-	1	-	1	7.00±0.20	
DBYS-02B28-C04 26040000218	4mm ² 、CodeB、 Shielded connector	1	-	1	-	-	-	2	-	2	-	2	-	1	-	1	7.00±0.20	
DBYS-02A28-C04 26040000002	4mm ² 、CodeA、 Shielded connector	1	1	-	-	-	-	2	-	2	-	2	-	1	-	1	7.00±0.20	
DBYS-02E28-C03 26040000228	2.5mm ² 、CodeE、 Shielded connector	1	-	-	-	-	1	2	2	-	2	-	1	-	1	-	5.80±0.20	
DBYS-02D28-C03 26040000224	2.5mm ² 、CodeD、 Shielded connector	1	-	-	-	-	1	2	2	-	2	-	1	-	1	-	5.80±0.20	
DBYS-02C28-C03 26040000220	2.5mm ² 、CodeC、 Shielded connector	1	-	-	1	-	-	2	2	-	2	-	1	-	1	-	5.80±0.20	
DBYS-02B28-C03 26040000216	2.5mm ² 、CodeB、 Shielded connector	1	-	1	-	-	-	2	2	-	2	-	1	-	1	-	5.80±0.20	
DBYS-02A28-C03 26040000011	2.5mm ² 、CodeA、 Shielded connector	1	1	-	-	-	-	2	2	-	2	-	1	-	1	-	5.80±0.20	
物料描述 Product description 型号/料号 Type /PN 子零件BOM Component BOM	26040000327	26040000248	26040000250	26040000252	26040000254	26040000256	26040000324	26040000322	26040000323	26040000320	26040000321	26040000319	26040000318	26040000316	26040000317	适用线缆外径 Applicable cable diameter (mm)	备注 Note	
	CodeA	CodeB	CodeC	CodeD	CodeE	母端子 Female terminal	2.5sqmm	4sqmm	2.5sqmm	4sqmm	2.5sqmm	4sqmm	2.5sqmm	4sqmm				
	插头防尘盖 Plug dust cover	插头壳体组件 Plug Housing Assy					屏蔽外环 Outer Ferrule	屏蔽内环 Inner Ferrule		线缆密封圈 Cable Seal		尾盖 Cap						
No. 1	No. 2					No. 3	No. 4		No. 5		No. 6		No. 7					



爆炸图
Exploded View

注意 Note:
 1、线缆尺寸标准来源于QC/T 1037-2016, 如线缆直径与QC/T 1037-2016的不一致, 可能会引起装配困难或密封失效;
 1、The cable dimensions are provided by the QC/T 1037-2016. If the cable diameter is different from the QC/T 1037-2016, assembly difficulties or seal failures may occur;
 2、每横排为装配一套产品所需要的数量。可按最左列成品料号购买, 也可单独按子零件料号购买子零件。
 2、Each row is the number required to assemble a set of products. It can be purchased by the finished part number in the leftmost column, or it can be purchased separately by the part number of the component.

00	/	图纸首发/First edition drawing	陈自发	2024-06-15
图纸版本	ECN	变更描述	设计人	设计日期
REV	ECN	DESCRIPTION	DRFT	DATE

			材料/MATERIAL: /	表面效果/SURFACE: /
			料号/PN: 2604000011	样品状态/MAT STATUS: /
批准/APPD 梁东 2024-06-15	审核/CHKD 李京乐 2024-06-15	名称/NAME: 2芯280插头总成 2PIN280 Plug Assy		
制图/DRFT 陈自发 2024-06-15	版本/REV 00	类型/TYPE 客户图纸/Customer drawing	图纸状态/DRAWING STATUS /	比例/SCALE 1:1
		页码/SHEET 2/2		