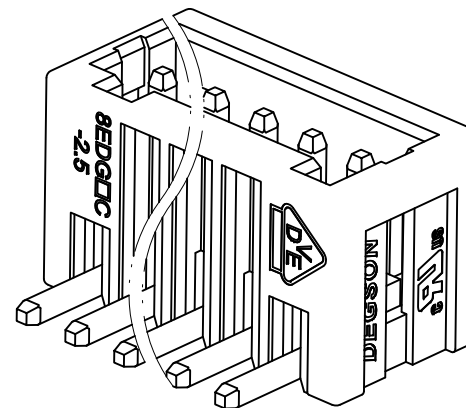
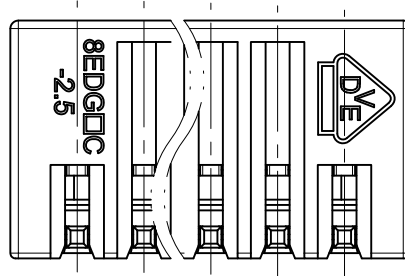
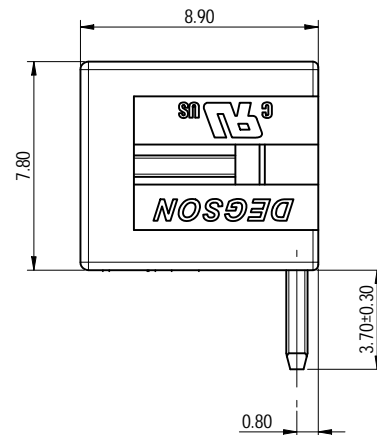
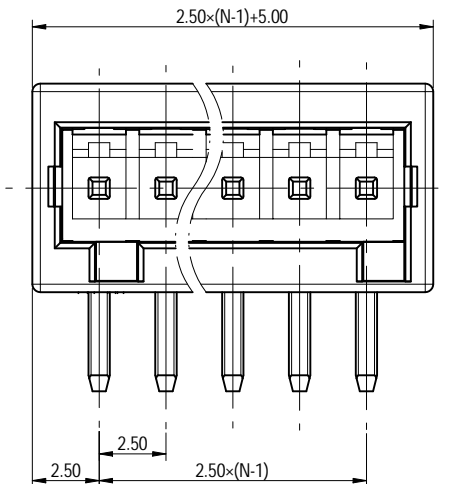
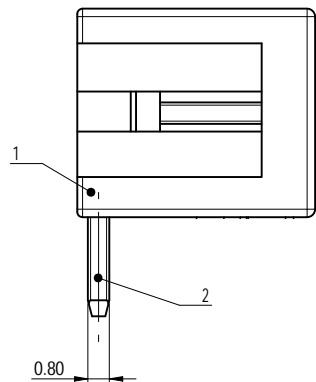
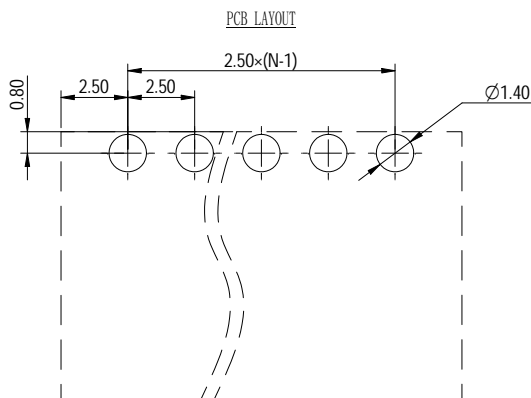


公差表/General tolerances (mm)													D	
0	>3	>6	>10	>18	>30	>50	>80	>120	>180	>250	>315	>400	>500	0.1/10
±0.12	±0.18	±0.22	±0.26	±0.31	±0.37	±0.57	±0.80	±0.93	±1.05	±1.15	±1.60	±2.20	±2.50	±2



please refer to the 3D model, for those unmarked dimensions



Note: The A&Z (H) in the name means: A(H) and Z (H).

ITEM	NAME OF PART	MATERIAL	NOTES
2	Pin header	Copper	Sn Plated
1	Housing	PA66	UL94V-0

UL 标准/UL Standard:	B	C	D
额定电压/电压/Rated Voltage(V)/Current(A)	150/4	150/4	150/4
IEC 标准/IEC Standard:			
过压类别/Overvoltage Category/污染等级/Pollution Degree	III/3		
额定电压/电压/Rated Voltage(V)/Current(A)	130/6		
额定脉冲电压(KV)/Rate Impulse Voltage(KV)	2.5		
间距/Pitch(mm)/线数范围/Poles	3.50/N=02~12P		
使用温度范围/Operating temperature(°C)	-40~+105		
符合RoHS环保要求/Conform to RoHS	Yes		

APPD: 蓝美凡 2022.11.11		NAME	
CHKD: 曹利彬 2022.11.09	2022.11.09	8EDGRC-2.5-XXP-11-01A&Z(H)	
DRFT: 姜民浩 2022.11.09	2022.11.09	DRAWING NO.	TYPE
REV	ECN	200119758	CUSTOMER DRAWING
		DRAWING STATUS	SCALE
		已发布	5:1
		SHEET	1/1

REV	ECN	DESCRIPTION	DRFT	DATE
00			姜民浩	2022.11.09

Transfer or duplication of this document as well as the utilization of its contents without the written permission of DEQSON is prohibited. All rights reserved for patent. 未经授权复制或传播本文件以及未经许可擅自使用其内容均属于侵权行为。DEQSON 保留所有权利。未经许可擅自复制或传播本文件以及未经许可擅自使用其内容均属于侵权行为。