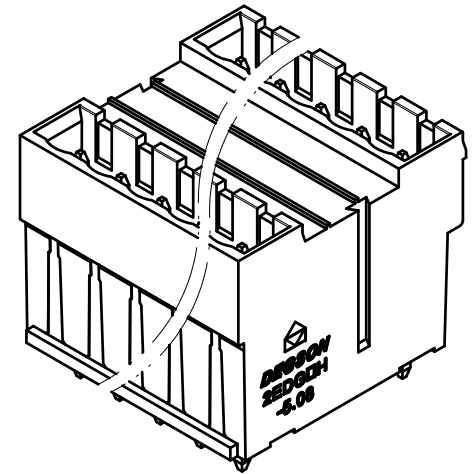
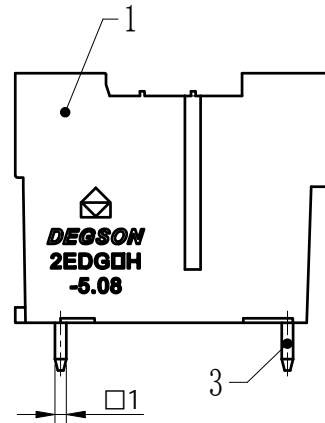
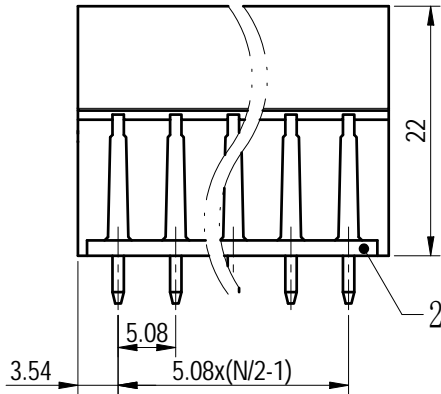
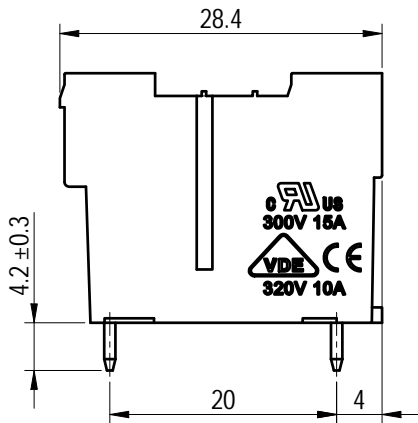
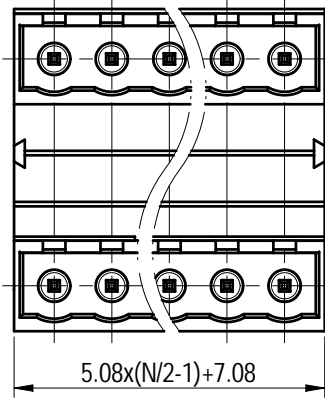
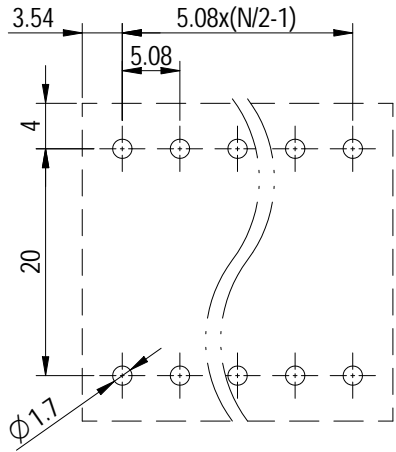


PCB LAYOUT



未注公差/General tolerances (mm)													0.1/10	
0	>3	>6	>10	>18	>30	>50	>80	>120	>180	>250	>315	>400		>500
±0.12	±0.18	±0.22	±0.26	±0.31	±0.37	±0.57	±0.80	±0.93	±1.05	±1.15	±1.60	±2.20	±2.50	±2'

UL 标准/UL Standard:	B	C	D
额定电压/电流/Rated Voltage(V)/Current(A)	300/15	/	300/10
IEC 标准/IEC Standard:			
过压类别/Overvoltage Category/污染等级/Pollution Degree	III/3	III/2	II/2
额定电压/电流/Rated Voltage(V)/Current(A)	/	320/10	/
额定脉冲电压(KV)/Rate Impulse Voltage(KV)	/	4	/
间距/Pitch(mm)/线数范围/Poles	5.08/N=04~48P		
使用温度范围/Operating temperature(°C)	-40~+105		
符合RoHS环保要求/Conform to RoHS	Yes		

3	Pin	Copper	Sn plated
2	Cover	PA66	UL94V-0
1	Housing	PA66	UL94V-0
ITEM	NAME OF PART	MATERIAL	NOTES

Note:
The A&Z(H) in the name means: A(H) and Z(H).

		MATERIAL:	SURFACE/COLOR:	
		MAT NO./REV: - / 00	MAT STATUS: 批量	
APPD: 兰春华	2023.03.03	NAME		
CHKD: 龚耀志	2023.03.01	2EDGVH-5.08-XXP-1Y-00A&Z(H)		
DRFT: 朱岳鹏	2023.03.01	DRAWING NO. 200020282	TYPE CUSTOMER DRAWING	DRAWING STATUS 已发布
REV	ECN	SCALE 1.5:1	SHEET 1/1	

00			朱岳鹏	2023.03.01
REV	ECN	DESCRIPTION	DRFT	DATE

Transfer or duplication of this document as well as the utilization or communication of its content are prohibited unless authorized in writing by DEGSON. All rights reserved for patent. 未经授权，不得复制或传播本文件内容。如有侵权，必究。 0.1/10