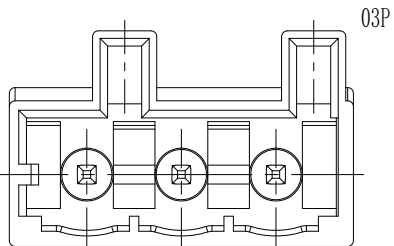
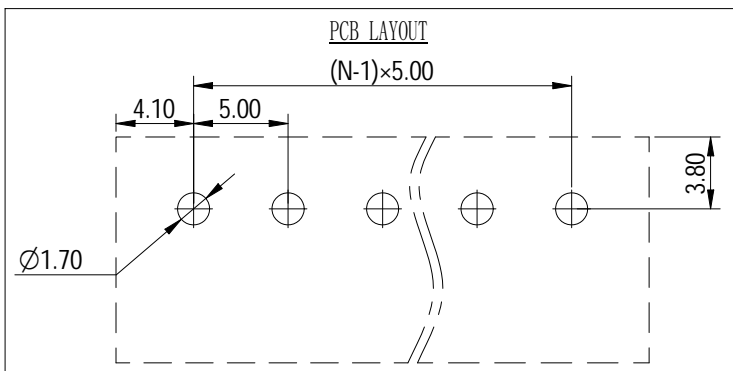
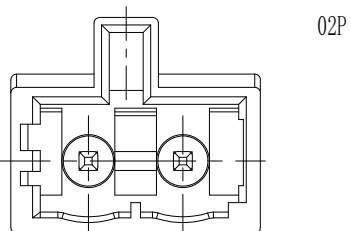
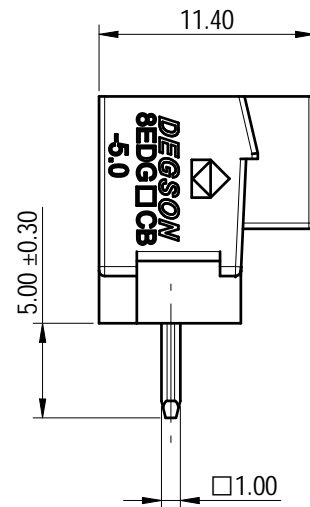
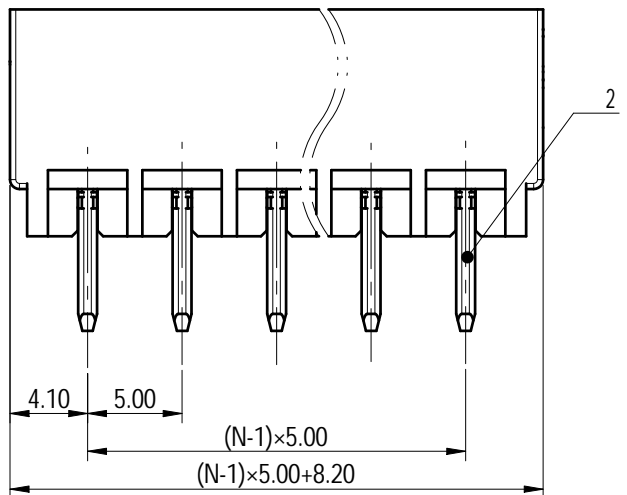
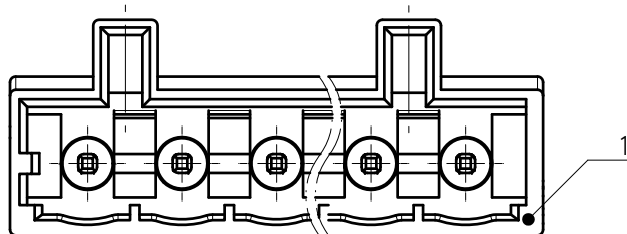
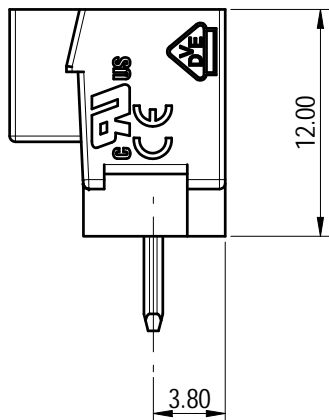


未注公差/General tolerances (mm)											0.1/10		
0	>3	>6	>10	>18	>30	>50	>80	>120	>180	>250		>315	>400
~3	~6	~10	~18	~30	~50	~80	~120	~180	~250	~315	~400	~500	>500
±0.12	±0.18	±0.22	±0.26	±0.31	±0.37	±0.57	±0.80	±0.93	±1.05	±1.15	±1.60	±2.20	±2.50



Note: The A&Z(H) in the name means: A(H) and Z(H).

ITEM	NAME OF PART	MATERIAL	NOTES
2	Pin	Copper alloy	Sn Plated
1	Housing	PA66	UL94V-0
UL 标准/UL Standard:			
额定电压/电流/Rated Voltage(V)/Current(A)			300/15
IEC 标准/IEC Standard:			
过压类别/Ovenvoltage Category/污染等级/Pollution Degree			III/3
额定电压/电流/Rated Voltage(V)/Current(A)			320/20
额定脉冲电压(KV)/Rate Impulse Voltage(KV)			4
间距/Pitch(mm)/线数范围/Poles			5.00/N=02~24P
使用温度范围/Operating temperature(°C)			-40~+105
符合RoHS环保要求/Conform to RoHS			Yes

<b>DEGSON</b>		MATERIAL:	SURFACE/COLOR: PANTONE 7534U		
APPD: 蓝贵凡	2024.03.11	MAT NO./REV: -	/ 00 MAT STATUS: 批量		
CHKD: 曹利彬	2024.03.11	NAME			
DRFT: 姜民洁	2024.03.11	8EDGVCB-5.0-XXP-11-01A&Z(H)			
④	A4	DRAWING NO.	TYPE	DRAWING STATUS	SCALE
		200271902	CUSTOMER DRAWING	已发布	2.5:1
				SHEET	1/1

REV	ECN	DESCRIPTION	DRFT	DATE
00			姜民洁	2024.03.11

Transfer or duplication of this document as well as the utilization or communication of its content are prohibited unless authorized in writing by Degson. All rights reserved for patent, utility model or design registrations. 除专利、实用新型、外观设计、商标、注册名称、名称、图形、文字等文件外，其他文件均受知识产权保护。 未经授权，不得复制或传播。