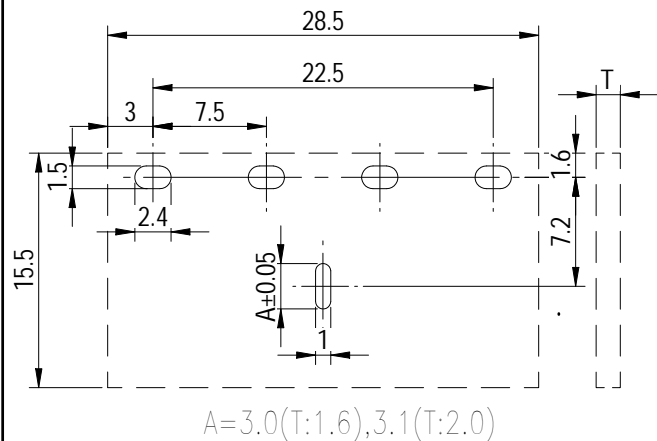
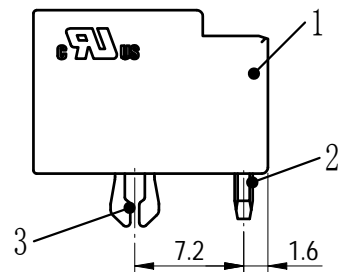
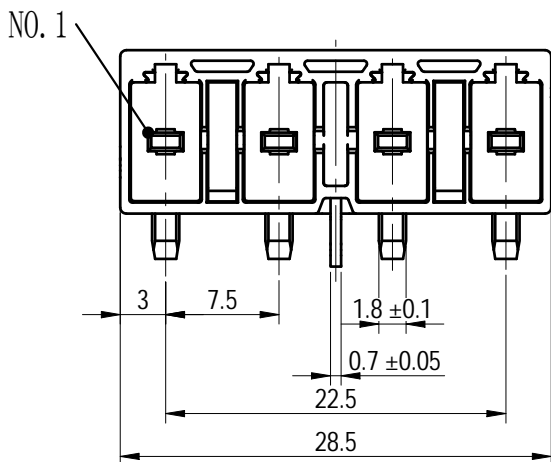
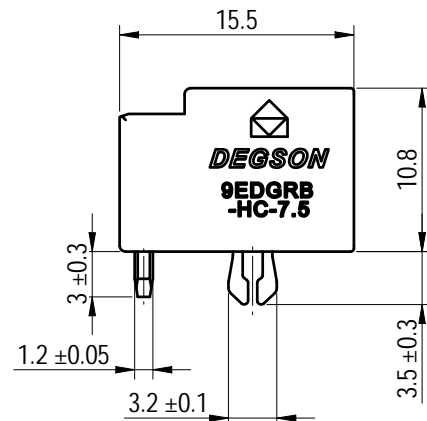
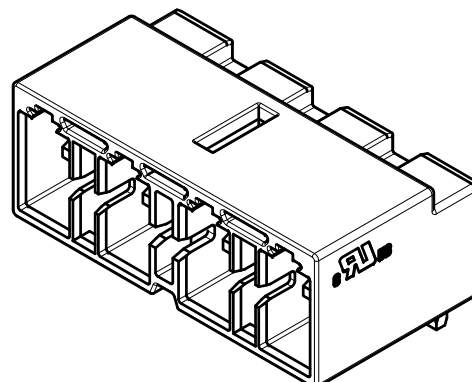
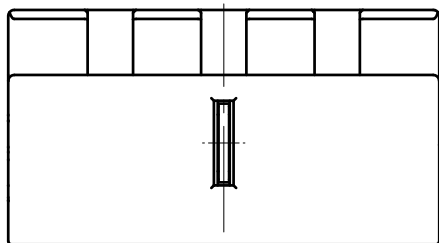


PCB LAYOUT



未注公差/General tolerances (mm)														
0	>3	>6	>10	>18	>30	>50	>80	>120	>180	>250	>315	>400	>500	0.1/10 ±2'
~3	~6	~10	~18	~30	~50	~80	~120	~180	~250	~315	~400	~500		
±0.12	±0.18	±0.22	±0.26	±0.31	±0.37	±0.57	±0.80	±0.93	±1.05	±1.15	±1.60	±2.20	±2.50	

UL 标准/UL Standard:	B	C	F
额定电压/电流/Rated Voltage(V)/Current(A)	300/25	150/25	600/25
IEC 标准/IEC Standard:			
过压类别/Overvoltage Category/污染等级/Pollution Degree	III/3	III/2	II/2
额定电压/电流/Rated Voltage(V)/Current(A)	630/25	800/25	1000/25
额定脉冲电压(KV)/Rate Impulse Voltage(KV)	6	6	6
间距/Pitch(mm)/线数范围/Poles	7.5/N=04P		
使用温度范围/Operating temperature(°C)	-40~+105		
符合RoHS环保要求/Conform to RoHS	Yes		



ITEM	NAME OF PART	MATERIAL	NOTES
3	Fixed Foot	Stainless steel	Sn Plated
2	Pin header	Copper	Sn Plated
1	Housing	PA66+GF	UL94V-0

<b>DEGSON</b>		MATERIAL:	SURFACE/COLOR: /		
		MAT NO./REV:	/ 00 MAT STATUS: 批量		
APPD: 兰春华	2022.10.25	NAME			
CHKD: 龚耀志	2022.10.24	9EDGRB-HC-7.5-04P-1Y-00Z (H)			
DRFT: 龚耀志	2022.10.24	DRAWING NO.	TYPE	DRAWING STATUS	SCALE
		200112142	CUSTOMER DRAWING	已发布	2:1
				SHEET	1/1

REV	ECN	DESCRIPTION	DRFT	DATE
00			龚耀志	2022.10.24

Transfer or duplication of this document as well as the utilization or communication of its contents are prohibited unless authorized in writing by DEGSON. All rights reserved for patent. 除专利号明确标注外，其余内容均受法律保护。未经授权，不得复制或传播。 未经授权，不得复制或传播。 未经授权，不得复制或传播。