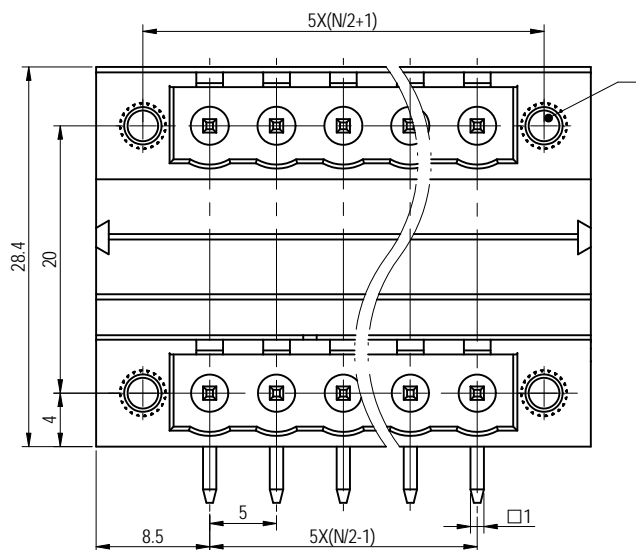
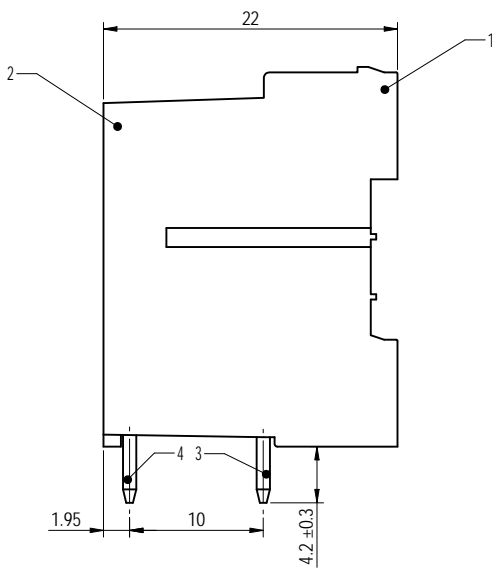
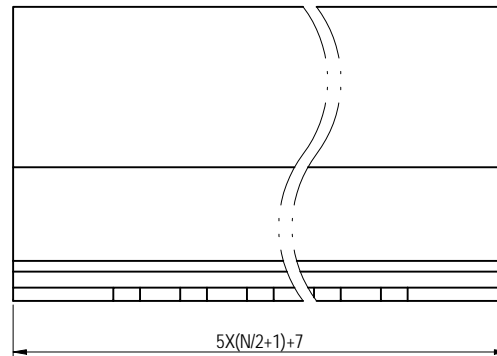
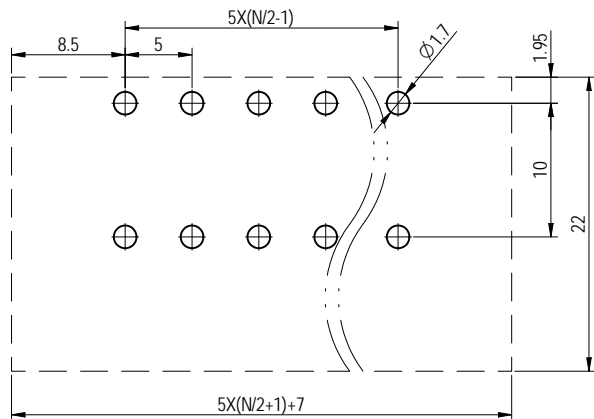
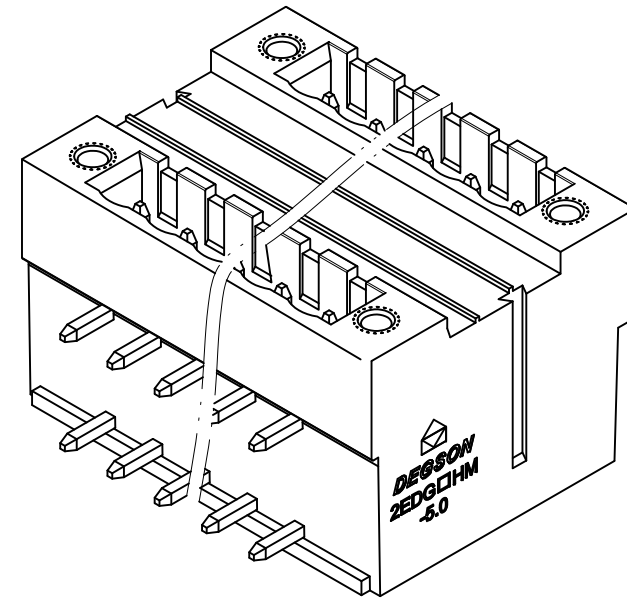


PCB LAYOUT



公差/General tolerances (mm)											0.1/10		
0	>3	>6	>10	>18	>30	>50	>80	>120	>180	>250	>315	>400	>500
~	3	6	10	18	30	50	80	120	180	250	315	400	500
±0.12	±0.18	±0.22	±0.26	±0.31	±0.37	±0.57	±0.80	±0.93	±1.05	±1.15	±1.60	±2.20	±2.50



Note:
The A&Z(H) in the name means: A(H) and Z(H).

ITEM	NAME OF PART	MATERIAL	NOTES
5	Nut	Copper Alloy	M2.5
4	Pin2	Copper	Sn plated
3	Pin1	Copper	Sn plated
2	Cover	PA66	UL94V-0
1	Housing	PA66	UL94V-0

UL 标准/UL Standard:	B	C	D
额定电压/电流/Rated Voltage(V)/Current(A)	300/15	/	300/10
IEC 标准/IEC Standard:			
过压类别/Overvoltage Category/污染等级/Pollution Degree	III/3	II/2	II/2
额定电压/电流/Rated Voltage(V)/Current(A)	/	320/10	/
额定脉冲电压(KV)/Rate Impulse Voltage(KV)	/	4	/
间距/Pitch(mm)/线数范围/Poles	5.0/N=04-48P		
使用温度范围/Operating temperature(°C)	-40~+105		
符合RoHS环保要求/Conform to RoHS	Yes		
标准颜色编号/Standard color number: PANTONE / RAL	/		

APPROVED		DATE		NAME		DRAWING NO.		TYPE		DRAWING STATUS		SCALE		SHEET	
APPD:	兰春华	2023.02.14		NAME:	2EDGRIM-5.0-XXP-1Y-00A&Z(H)										
CHKD:	黄耀志	2023.02.14		DRAWING NO.:	200019769	TYPE:	CUSTOMER DRAWING	DRAWING STATUS:	已发布	SCALE:	2.5:1	SHEET:	1/1		
DRFT:	方哲盛	2023.02.14		DATE:											

REV	ECN	DESCRIPTION	DRFT	DATE
00			方哲盛	2023.02.14

Transfer or duplication of this document as well as the utilization of its contents without the written consent of the copyright holder is prohibited. All rights reserved for patent.