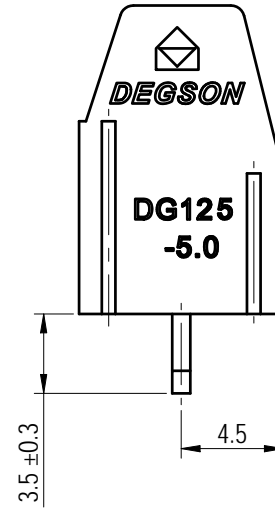
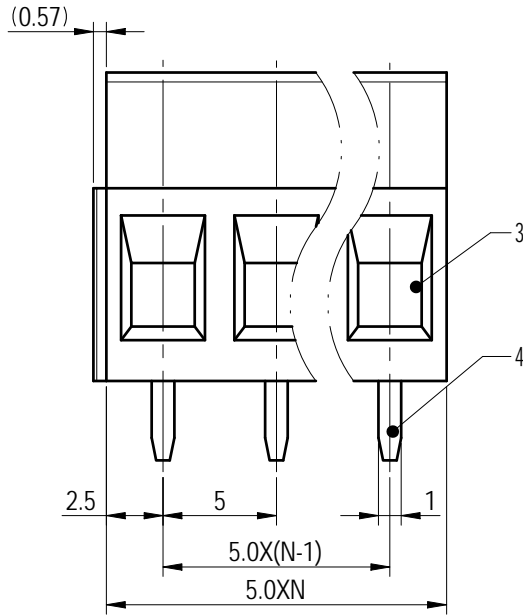
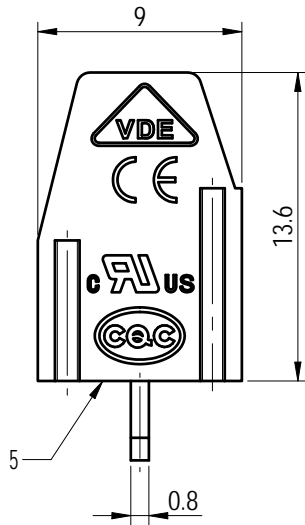
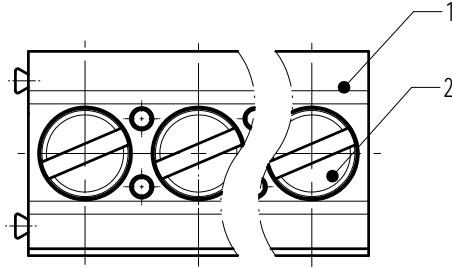
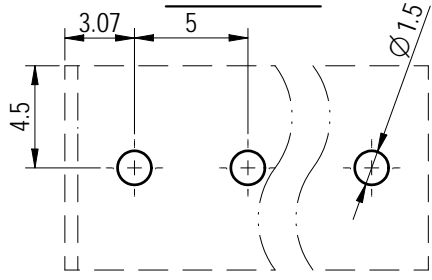
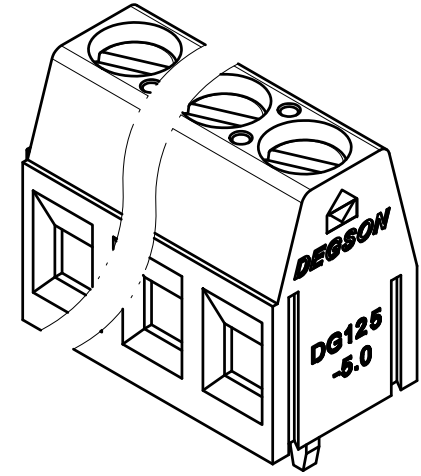


PCB LAYOUT



未注公差/General tolerances (mm)												0.1/10	
0	>3	>6	>10	>18	>30	>50	>80	>120	>180	>250	>315		>400
~3	~6	~10	~18	~30	~50	~80	~120	~180	~250	~315	~400	~500	>500
±0.12	±0.18	±0.22	±0.26	±0.31	±0.37	±0.57	±0.80	±0.93	±1.05	±1.15	±1.60	±2.20	±2.50



Note:
The A&Z(H) in the name means: A(H) and Z(H).

ITEM	NAME OF PART	MATERIAL	NOTES
5	Cover	PA66	UL94V-0
4	Pin header	Copper alloy	Sn plated
3	Cage	Copper alloy	M2.5/Ni plated
2	Screw	Steel	M2.5/Zn plated
1	Housing	PA66	UL94V-0

UL 标准/UL Standard:	B	C	D
额定电压/电流/Rated Voltage(V)/Current(A)	300/16	/	/
IEC 标准/IEC Standard:			
过压类别/Overvoltage Category/污染等级/Pollution Degree	III/3	III/2	II/2
额定电压/电流/Rated Voltage(V)/Current(A)	/	250/18	/
工频耐压/Withstanding voltage(V/1Min)	/	AC2000	/
螺丝扭矩/Torque Tightening(N·m/Lb.in)	M2.5: 0.4/3.5		
线径范围(硬线和软线)/Wire Range(rigid and flexible)(AWG/mm ²)	26~12/ 0.5~2.5		
间距/Pitch(mm)/线数范围/Poles	5.0/N=02~24P		
剥线长度/Stripping length(mm)	6~7		
使用温度范围/Operating temperature(°C)	-40~+105		
符合RoHS环保要求/Conform to RoHS	Yes		



MATERIAL:	SURFACE/COLOR:
MAT NO./REV:	MAT STATUS: 批量

APPD: 兰春华	2023.03.21	NAME	DG125-5.0-XXP-1Y-00A&Z(H)		
CHKD: 陈招	2023.03.20				
DRFT: 龚徐涛	2023.03.20				

REV	ECN	DESCRIPTION	DRFT	DATE	比例/Scale	图例/Notes	DRAWING NO.	TYPE	DRAWING STATUS	SCALE	SHEET
01			龚徐涛	2023.03.20	A4	(inch)	200104185	CUSTOMER DRAWING	已发布	3:1	1/1