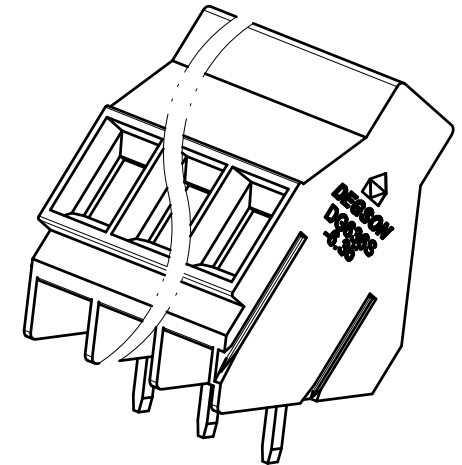
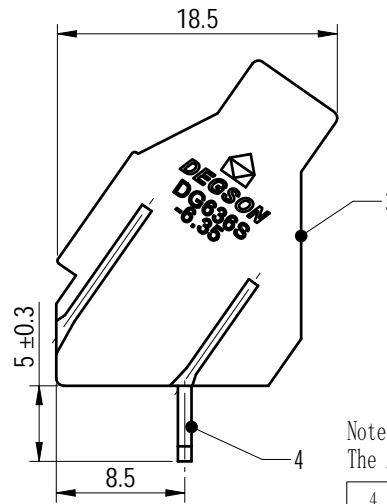
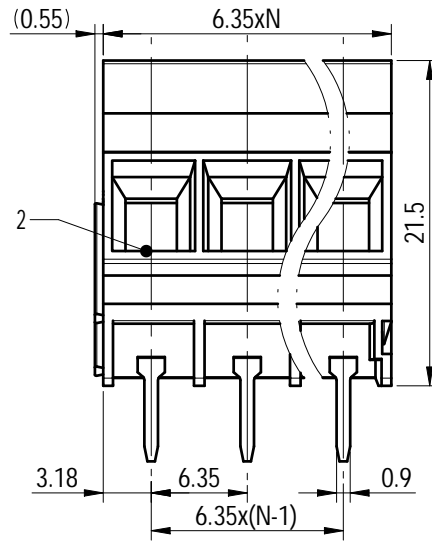
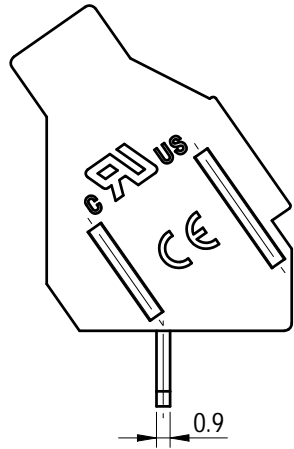
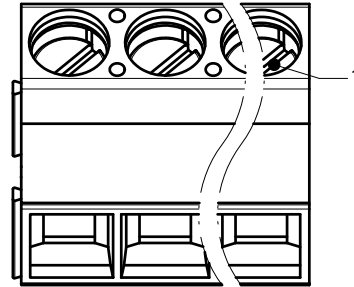
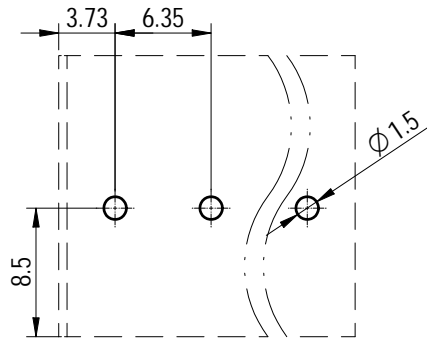


PCB LAYOUT



未注公差/General tolerances (mm)												0.1/10	
0	>3	>6	>10	>18	>30	>50	>80	>120	>180	>250	>315		>400
~3	~6	~10	~18	~30	~50	~80	~120	~180	~250	~315	~400	~500	>500
±0.12	±0.18	±0.22	±0.26	±0.31	±0.37	±0.57	±0.80	±0.93	±1.05	±1.15	±1.60	±2.20	±2.50
UL 标准/UL Standard:										B	C	D	
额定电压/电流/Rated Voltage(V)/Current(A)										300/30	/	300/10	
IEC 标准/IEC Standard:													
过压类别/Overvoltage Category/污染等级/Pollution Degree										III/3	III/2	II/2	
额定电压/电流/Rated Voltage(V)/Current(A)										500/32	630/32	1000/32	
额定脉冲电压 (KV) /Rate Impulse Voltage (KV)										6	6	6	
螺丝扭矩/Torque Tightening(N·m/Lb.in)										M3.5: 0.2P:0.57/5.0, ≥0.3P:0.8/7.02			
线径范围(硬线和软线)/Wire Range(rigid and flexible)(AWG/mm ²)										30~10/ 0.2~4/6(sol)			
间距/Pitch(mm)/线数范围/Poles										6.35/N=02~24P			
剥线长度/Stripping length(mm)										8~9			
使用温度范围/Operating temperature(°C)										-40~+105			
符合RoHS环保要求/Conform to RoHS										Yes			

Note:
The A&Z(H) in the name means: A(H) and Z(H).

4	Pin Header	Copper	Sn Plated
3	Housing	PA66	UL94V-0
2	Cage	Copper Alloy	M3.5/Ni Plated
1	Screw	Steel	M3.5/Zn Plated
ITEM	NAME OF PART	MATERIAL	NOTES

		MATERIAL: /		SURFACE/COLOR: /	
APPD: 兰春华 2022.12.15		MAT NO./REV: - / 00		MAT STATUS: 批量	
CHKD: 陈招 2022.12.14		NAME			
DRFT: 柳学龙 2022.12.14		DG636S-6.35-XXP-1Y-00A&Z(H)			
DRAWING NO. 200025515		TYPE CUSTOMER DRAWING		DRAWING STATUS 已发布	
SCALE 2:1		SHEET 1/1			

00			柳学龙	2022.12.14
REV	ECN	DESCRIPTION	DRFT	DATE

Transfer or duplication of this document as well as the utilization or communication of its contents are prohibited unless authorized in advance. Violations will be held for compensation. All rights reserved for patent, utility model or design registrations. 除特别说明外, 未经许可, 不得复制或传播。 未经授权, 不得复制或传播。 未经授权, 不得复制或传播。 未经授权, 不得复制或传播。