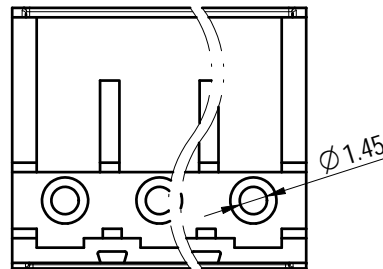
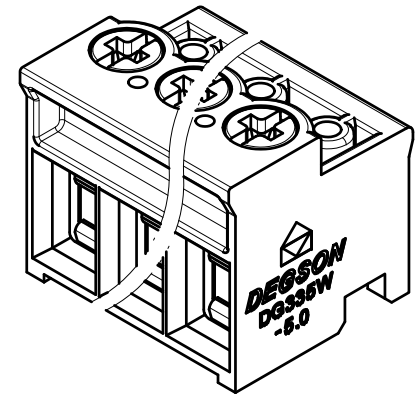
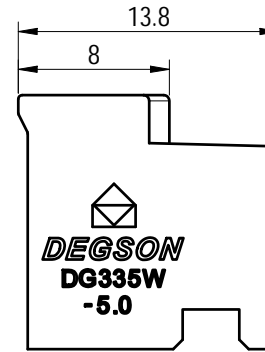
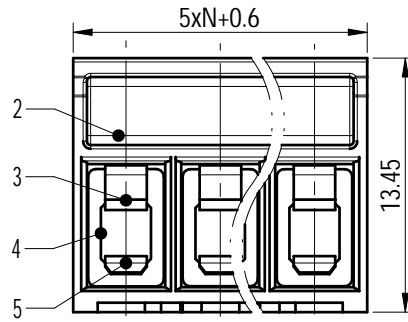
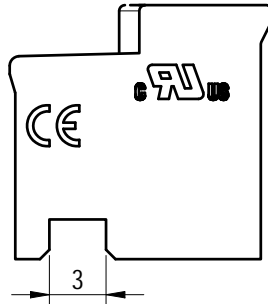
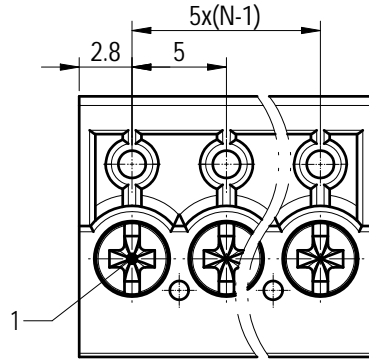


Transfer or duplication of this document as well as the utilization or communication of its contents are prohibited unless authorized in advance. Violations will be held for compensation. All rights reserved for patent, utility model or design registrations. 除专利等明确标注外，其他标注禁止、复制、印刷、光磁等文件的传播。未经事先许可，擅自复制或传播，侵权者将承担法律责任。所有权利保留，侵权者将承担法律责任。

未注公差/General tolerances (mm)													0.1/10 ±2'
0	>3	>6	>10	>18	>30	>50	>80	>120	>180	>250	>315	>400	
~3	~6	~10	~18	~30	~50	~80	~120	~180	~250	~315	~400	~500	
±0.12	±0.18	±0.22	±0.26	±0.31	±0.37	±0.57	±0.80	±0.93	±1.05	±1.15	±1.60	±2.20	±2.50

UL 标准/UL Standard:	B	C	D
额定电压/电流/Rated Voltage(V)/Current(A)	300/16	/	300/10
IEC 标准/IEC Standard:			
过压类别/Overvoltage Category/污染等级/Pollution Degree	III/3	III/2	II/2
额定电压/电流/Rated Voltage(V)/Current(A)	250/12	320/12	630/12
额定脉冲电压 (KV) /Rate Impulse Voltage (KV)	4	4	4
螺丝扭矩/Torque Tightening(N·m/Lb.in)	M3, 0.5/4.5		
线径范围(硬线和软线)/Wire Range(rigid and flexible)(AWG/mm²)	28~12/ 0.2~2.5		
间距/Pitch(mm)/线数范围/Poles	5.0/N=02~12P		
剥线长度/Stripping length(mm)	5~6		
使用温度范围/Operating temperature(°C)	-40~+105		
符合RoHS环保要求/Conform to RoHS	Yes		



Note:  
The A&Z(H) in the name means: A(H) and Z(H).

ITEM	NAME OF PART	MATERIAL	NOTES
5	Clamp	Copper alloy	Sn Plated
4	Cage	Copper alloy	M3/Ni Plated
3	Spring	Stainless steel	/
2	Housing	PA66	UL94V-0
1	Screw	Steel	M3/Zn-Ni Plated

		MATERIAL: /	SURFACE/COLOR: /		
		MAT NO./REV: - / 00	MAT STATUS: 批量		
APPD: 兰春华	2023.02.17	NAME			
CHKD: 陈招	2023.02.17	DG335W-5.0-XXP-1Y-00A&Z(H)			
DRFT: 柳学龙	2023.02.16	DRAWING NO.	TYPE	DRAWING STATUS	SCALE
		200025665	CUSTOMER DRAWING	已发布	2:1
				SHEET	1/1

REV	ECN	DESCRIPTION	DRFT	DATE
00			柳学龙	2023.02.16